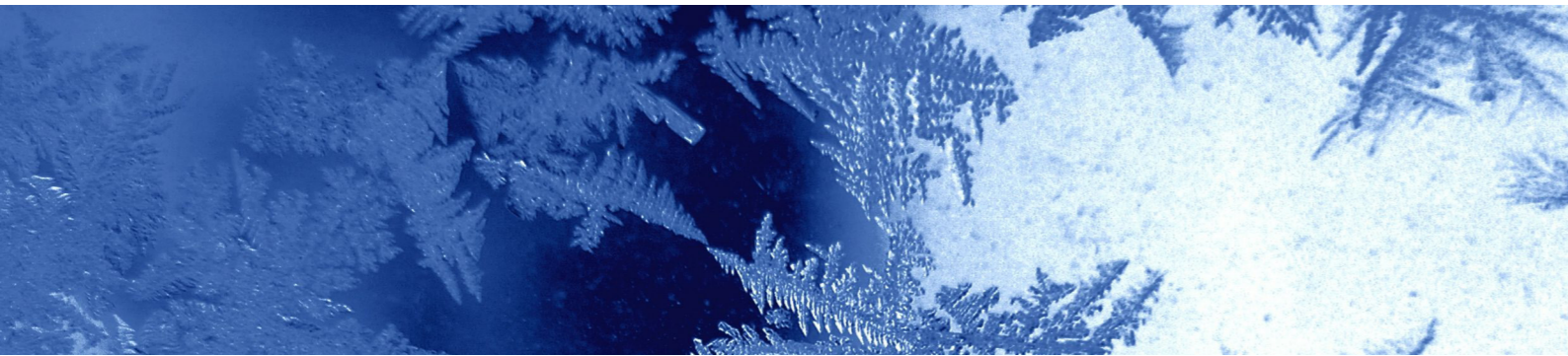


Condenser 60Hz





Product range

Applicable for all HFC refrigerants

Series	Capacity kW	Fin Spacing	Air-flow direction
ECS	1 to 1000	2.5 mm	horizontal
ECH	50 to 1000	2.5 mm	Vertical
ECV	50 to 300	2.0 mm	Vertical
ECU	100 to 500	2.0 mm	Vertical
ECW	50 to 500	2.0 mm	Vertical

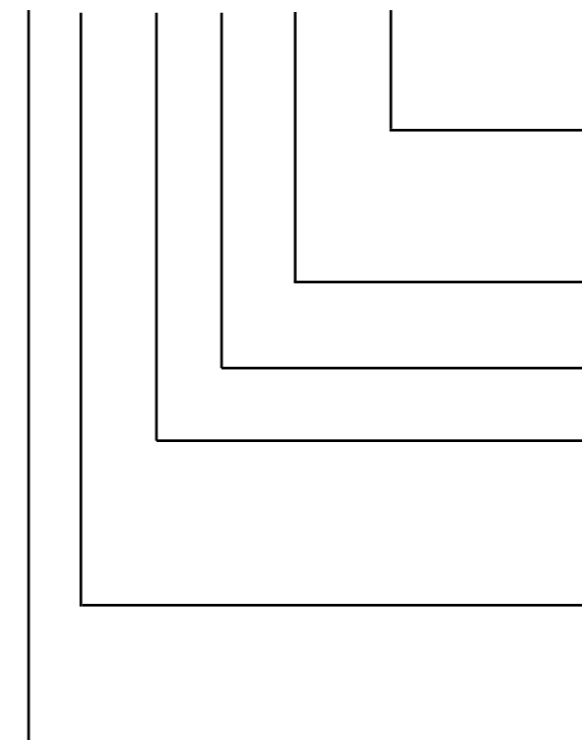
Capacity Multiplying Factors	
R404a	1
R507	1.01
R22	0.96
R134a	0.93

Other Fin Materials Correction Factors	
Aluminium	1
Coated aluminium (blue fin)	0.97
Copper	1.03



Product nomenclature

E CS 040 2 E59 V



Voltage code:
 V1: 230V 1ph 50/60Hz
 V2: 230V 1ph 50Hz;
 V3: 400V 3ph 50Hz
 V4: 480V 3ph 60Hz;
 V5: 230V 3ph 60Hz

Coil module code

No. of fan

Fan code

CS: High Performance vertical condenser
 CH: High Performance horizontal condenser
 CV: High Performance V condenser
 CU: High Performance U condenser
 CW: High Performance W condenser

EKA-KOOL Heat Exchangers



Capacities kW ECS Condenser

Fin spacing 2.5mm

Model ¹	Capacity ² 10TD	Surface m ²	Airflow m ³ /hr	Tube volume l	Fan dia mm	Fan qty	Voltage Code	Fan Speed rpm	Input ³ Power Watt per fan	Power Amp	Sound pressure level DB(A) 10m
ECS-251-A-1.2	1,1	3,6	990	0,5	250	1	V1	1570	73	0,32	32
ECS-251-B-1.6	1,6	5,5	990	0,7	250	1	V1	1570	73	0,32	32
ECS-251-C-2	2,0	8,5	990	0,9	250	1	V1	1570	73	0,32	32
ECS-301-B-2.7	2,9	8,9	1780	2,0	300	1	V1	1590	148	0,65	34
ECS-301-C-3.6	3,6	12,0	1770	2,6	300	1	V1	1590	148	0,65	34
ECS-301-C-4	3,9	13,4	1760	2,7	300	1	V1	1590	148	0,65	34
ECS-301-D-5	4,6	16,8	1760	3,1	300	1	V1	1590	148	0,65	34
ECS-302-C-7.6	7,7	25,5	3520	4,5	300	2	V1	1590	148	0,65	38
ECS-302-D-9.5	8,7	31,8	3500	5,5	300	2	V1	1590	148	0,65	38
ECS-351-C-5.5	5,7	18,3	2680	3,2	350	1	V1	1590	190	0,81	37
ECS-351-D-6.8	6,4	22,9	2660	4,1	350	1	V1	1570	190	0,82	37
ECS-352-C-11	11,2	36,6	5350	6,4	350	2	V1	1590	190	0,81	39
ECS-352-D-13	13,5	45,7	5270	8,0	350	2	V1	1570	190	0,82	39
ECS-352x2-C-21	22,9	73,2	10550	12,8	350	2 x 2	V1	1590	190	0,81	41
ECS-352x2-D-25	27,8	91,4	10350	16,1	350	2 x 2	V1	1570	190	0,82	41
ECS-353-C-17	17,6	55,9	8100	9,8	350	3	V1	1590	190	0,82	41
ECS-353-D-20	20,2	69,7	7990	11,8	350	3	V1	1570	190	0,82	41
ECS-401-B-5.4	5,9	18,0	3420	3,8	400	1	V1	1470	255	1,10	42
ECS-401-B-5.4	5,9	18,0	3450	3,8	400	1	V4	1475	260	0,61	42
ECS-401-C-7.2	7,3	24,0	3360	4,1	400	1	V1	1470	255	1,10	42
ECS-401-C-7.2	7,3	24,0	3370	4,1	400	1	V4	1475	260	0,61	42
ECS-401-D-9	7,9	28,7	3080	6,7	400	1	V1	1470	255	1,10	42
ECS-401-D-9	7,9	28,7	3090	6,7	400	1	V4	1475	260	0,61	42
ECS-402-C-13	13,6	43,9	6680	7,6	400	2	V4	1475	260	0,61	43
ECS-402-C-13	13,6	43,9	6670	7,6	400	2	V1	1470	255	1,10	43
ECS-402-D-18	17,2	64,1	6570	11,2	400	2	V1	1470	255	1,10	43
ECS-402-D-18	17,2	64,1	6580	11,2	400	2	V4	1475	260	0,61	43
ECS-402-E-20	18,2	76,9	6410	13,4	400	2	V1	1470	260	1,15	43
ECS-402-E-20	18,2	76,9	6410	13,4	400	2	V4	1475	265	0,63	43
ECS-402x2-C-26	27,9	87,8	13360	15,3	400	2 x 2	V1	1470	255	1,10	47
ECS-402x2-C-26	27,9	87,8	13360	15,3	400	2 x 2	V4	1475	260	0,61	47
ECS-402x2-D-32	33,1	109,7	13140	19,1	400	2 x 2	V1	1470	255	1,10	47
ECS-402x2-D-32	33,1	109,7	13140	19,1	400	2 x 2	V4	1475	260	0,61	47
ECS-451-D-14	14,6	49,9	5750	8,7	450	1	V5	1700	520	2,10	40
ECS-451-D-14	14,6	49,9	5750	8,7	450	1	V4	1700	520	0,92	40
ECS-452-C-20	22,0	64,8	11600	11,3	450	2	V5	1700	520	2,10	40
ECS-452-D-23	24,6	81,0	11500	14,1	450	2	V4	1700	520	0,92	42
ECS-452-D-23	24,6	81,0	11500	14,1	450	2	V5	1700	520	2,10	42
ECS-452-E-28	28,0	97,3	10600	16,9	450	2	V4	1700	530	0,93	42
ECS-452-E-28	28,0	97,3	10600	16,9	450	2	V5	1700	530	2,10	42
ECS-452x2-C-43	45,0	138,3	22000	23,9	450	2 x 2	V5	1700	510	2,10	47
ECS-452x2-C-43	45,0	138,3	22000	23,9	450	2 x 2	V4	1700	510	0,91	47
ECS-452x2-D-50	52,9	173,0	21500	30,1	450	2 x 2	V4	1700	520	0,92	48
ECS-452x2-D-50	52,9	173,0	21500	30,1	450	2 x 2	V5	1700	520	2,10	48
ECS-452x2-E-52	54,0	208,0	20800	36,3	450	2 x 2	V5	1700	530	2,10	47
ECS-452x2-E-52	54,0	208,0	20800	36,3	450	2 x 2	V4	1700	530	0,93	47

¹ Max operating pressure 32bar

² All capacities are based on 404A refrigerant, 35 °C amb temp

³ Operating power input

Dimension Table ECS

Model	W	L	H	W1	INLET	OUTLET	Weight kg
ECS-251-A-1.2	280	420	310	3/8"	5/16"	12	2,5
ECS-251-B-1.6	300	420	310	3/8"	5/16"	13	2,5
ECS-251-C-2	300	420	360	3/8"	3/8"	15	2,5
ECS-301-B-2.7	300	520	410	3/8"	3/8"	15	2,5
ECS-301-C-3.6	300	520	410	1/2"	3/8"	18	2,5
ECS-301-C-4	300	520	462	1/2"	3/8"	20	2,5
ECS-301-D-5	300	520	462	1/2"	3/8"	21	2,5
ECS-302-C-7.6	300	930	462	1/2"	3/8"	24	2,5
ECS-302-D-9.5	300	930	462	5/8"	1/2"	25	2,5
ECS-351-C-5.5	350	640	512	1/2"	3/8"	20	2,5
ECS-351-D-6.8	350	640	512	1/2"	3/8"	22	2,5
ECS-352-C-11	350	1190	512	5/8"	1/2"	36	2,5
ECS-352-D-13	350	1190	512	3/4"	1/2"	38	2,5
ECS-352x2-C-21	350	1200	1015	7/8"	3/4"	45	2,5
ECS-352x2-D-25	350	1200	1015	7/8"	3/4"	51	2,5
ECS-353-C-17	350	1690	535	3/4"	5/8"	46	2,5
ECS-353-D-20	350	1690	535	7/8"	3/4"	49	2,5
ECS-401-B-5.4	400	690	615	1/2"	3/8"	26	2,5
ECS-401-B-5.4	400	690	615	1/2"	3/8"	26	2,5
ECS-401-C-7.2	400	690	615	1/2"	3/8"	27	2,5
ECS-401-C-7.2	400	690	615	1/2"	3/8"	27	2,5
ECS-401-D-9	400	690	615	5/8"	1/2"	28	2,5
ECS-401-D-9	400	690	615	5/8"	1/2"	28	2,5
ECS-402-C-13	400	1190	615	5/8"	1/2"	43	2,5
ECS-402-C-13	400	1190	615	5/8"	1/2"	43	2,5
ECS-402-D-18	400	1190	715	3/4"	5/8"	52	2,5
ECS-402-D-18	400	1190	715	3/4"	5/8"	52	2,5
ECS-402-E-20	400	1190	715	7/8"	5/8"	57	2,5
ECS-402-E-20	400	1190	715	7/8"	5/8"	57	2,5
ECS-402x2-C-26	400	1190	1220	7/8"	5/8"	82	2,5
ECS-402x2-C-26	400	1190	1220	7/8"	5/8"	82	2,5
ECS-402x2-D-32	400	1190	1220	7/8"	3/4"	91	2,5
ECS-402x2-D-32	400	1190	1220	7/8"	3/4"	91	2,5
ECS-451-D-14	450	900	765	5/8"	1/2"	35	2,5
ECS-451-D-14	450	900	765	5/8"	1/2"	39	2,5
ECS-452-C-20	450	1395	765	3/4"	5/8"	45	2,5
ECS-452-D-23	450	1395	765	7/8"	3/4"	48	2,5
ECS-452-D-23	450	1395	765	7/8"	3/4"	48	2,5
ECS-452-E-28	450	1395	765	7/8"	3/4"	51	2,5
ECS-452-E-28	450	1395	765	7/8"	3/4"	51	2,5
ECS-452x2-C-43	450	1395	1630	1.1/8"	3/4"	78	2,5
ECS-452x2-C-43	450	1395	1630	1.1/8"	3/4"	78	2,5
ECS-452x2-D-50	450	1395	1630	1.1/8"	7/8"	80	2,5
ECS-452x2-D-50	450	1395	1630	1.1/8"	7/8"	80	2,5
ECS-452x2-E-52	450	1395	1630	1.1/8"	7/8"	82	2,5
ECS-452x2-E-52	450	1395	1630	1.1/8"	7/8"	82	2,5

Capacities kW ECS Condenser

Fin spacing 2.5mm

Model ¹	Capacity ² 10TD	Surface m ²	Airflow m ³ /hr	Tube volume l	Fan dia mm	Fan qty	Voltage Code	Fan Speed rpm	Input ³ Power Watt per fan	Power Amp	Sound pressure level DB(A) 10m
ECS-501-C-15	15,0	47,9	7870	8,3	500	1	V4	1480	1060	1,85	43
ECS-501-C-15	15,0	47,9	7870	8,3	500	1	V5	1480	1050	3,60	43
ECS-501-D-17	18,1	59,9	7730	10,4	500	1	V4	1480	1060	1,85	43
ECS-501-D-17	18,1	59,9	7730	10,4	500	1	V5	1480	1050	3,60	43
ECS-502-C-26	28,1	77,9	15470	16,8	500	2	V5	1480	1050	3,60	45
ECS-502-C-26	28,1	77,9	15470	16,8	500	2	V4	1480	1060	1,85	45
ECS-502-C-30	32,1	96,1	15750	16,7	500	2	V5	1480	1050	3,60	45
ECS-502-C-30	32,1	96,1	15750	16,7	500	2	V4	1480	1060	1,85	45
ECS-502-D-29	30,8	97,3	15200	16,8	500	2	V5	1480	1050	3,60	45
ECS-502-D-29	30,8	97,3	15200	16,8	500	2	V4	1480	1060	1,85	45
ECS-502-D-35	35,5	120,0	15600	20,8	500	2	V5	1480	1050	3,60	45
ECS-502-D-35	35,5	120,0	15600	20,8	500	2	V4	1480	1060	1,85	45
ECS-502-E-36	39,0	145,0	15250	25,1	500	2	V5	1480	1050	3,60	45
ECS-502-E-36	39,0	145,0	15250	25,1	500	2	V4	1480	1060	1,85	45
ECS-502-E-39	36,0	130,0	15200	22,6	500	2	V4	1480	1060	1,85	45
ECS-502-E-39	36,0	130,0	15200	22,6	500	2	V5	1480	1050	3,60	45
ECS-502x2-D-60	62,5	195,0	30010	33,8	500	2 x 2	V5	1480	1050	3,60	48
ECS-502x2-D-60	62,5	195,0	30010	33,8	500	2 x 2	V4	1480	1060	1,85	48
ECS-502x2-D-65	66,8	213,0	30360	36,9	500	2 x 2	V4	1480	1060	1,85	48
ECS-502x2-D-65	66,8	213,0	30360	36,9	500	2 x 2	V5	1480	1050	3,60	48
ECS-502x2-E-70	72,0	256,0	29700	44,3	500	2 x 2	V5	1480	1050	3,60	48
ECS-502x2-E-70	72,0	256,0	29700	44,3	500	2 x 2	V4	1480	1060	1,85	48
ECS-503-C-45	45,5	126,0	23800	21,7	500	3	V5	1480	1050	3,60	46
ECS-503-C-45	45,5	126,0	23800	21,7	500	3	V4	1480	1060	1,85	46
ECS-503-D-49	51,7	157,2	23200	27,3	500	3	V4	1480	1060	1,85	46
ECS-503-D-49	51,7	157,2	23200	27,3	500	3	V5	1480	1050	3,60	46
ECS-503-E-55	56,0	189,0	22800	32,8	500	3	V4	1480	1060	1,85	46
ECS-503-E-55	56,0	189,0	22800	32,8	500	3	V5	1480	1050	3,60	46
ECS-503x2-D-85	88,0	280,0	43100	48,5	500	2 x 3	V4	1480	1060	1,85	52
ECS-503x2-D-85	88,0	280,0	43100	48,5	500	2 x 3	V5	1480	1050	3,60	52
ECS-503x2-D-95	102,0	315,0	43200	54,5	500	2 x 3	V4	1480	1060	1,85	53
ECS-503x2-D-95	102,0	315,0	43200	54,5	500	2 x 3	V5	1480	1050	3,60	53
ECS-503x2-E-100	109,0	378,0	42900	65,6	500	2 x 3	V4	1480	1060	1,85	53
ECS-503x2-E-100	109,0	378,0	42900	65,6	500	2 x 3	V5	1480	1050	3,60	53

¹ Max operating pressure 32bar² All capacities are based on 404A refrigerant. 35 °C amb temp³ Operating power input

Dimension Table ECS

Model	W	L	H	INLET	OUTLET	Weight kg
ECS-501-C-15	500	890	815	3/4"	1/2"	45
ECS-501-C-15	500	890	815	3/4"	1/2"	45
ECS-501-D-17	500	890	815	7/8"	1/2"	56
ECS-501-D-17	500	890	815	7/8"	1/2"	56
ECS-502-C-26	500	1395	920	7/8"	3/4"	78
ECS-502-C-26	500	1395	920	7/8"	3/4"	78
ECS-502-C-30	500	1690	920	7/8"	3/4"	85
ECS-502-C-30	500	1690	920	7/8"	3/4"	85
ECS-502-D-29	500	1395	920	7/8"	3/4"	83
ECS-502-D-29	500	1395	920	7/8"	3/4"	83
ECS-502-D-35	500	1690	920	1.1/8"	3/4"	93
ECS-502-D-35	500	1690	920	1.1/8"	3/4"	93
ECS-502-E-36	500	1690	920	1.1/8"	7/8"	121
ECS-502-E-36	500	1690	920	1.1/8"	7/8"	121
ECS-502-E-39	500	1395	1020	1.1/8"	3/4"	101
ECS-502-E-39	500	1395	1020	1.1/8"	3/4"	101
ECS-502x2-D-60	600	1400	1820	1.3/8"	1.1/8"	150
ECS-502x2-D-60	600	1400	1820	1.3/8"	1.1/8"	150
ECS-502x2-D-65	632	1715	1630	1.3/8"	1.1/8"	155
ECS-502x2-D-65	632	1715	1630	1.3/8"	1.1/8"	155
ECS-502x2-E-70	632	1715	1630	1.3/8"	1.1/8"	170
ECS-502x2-E-70	632	1715	1630	1.3/8"	1.1/8"	170
ECS-503-C-45	500	2200	920	1.1/8"	7/8"	80
ECS-503-C-45	500	2200	920	1.1/8"	7/8"	80
ECS-503-D-49	500	2200	920	1.1/8"	7/8"	85
ECS-503-D-49	500	2200	920	1.1/8"	7/8"	85
ECS-503-E-55	500	2200	920	1.1/8"	7/8"	89
ECS-503-E-55	500	2200	920	1.1/8"	7/8"	89
ECS-503x2-D-85	632	2220	1630	1.3/8"	1.1/8"	170
ECS-503x2-D-85	632	2220	1630	1.3/8"	1.1/8"	170
ECS-503x2-D-95	632	2220	1830	1.3/8"	1.1/8"	185
ECS-503x2-D-95	632	2220	1830	1.3/8"	1.1/8"	185
ECS-503x2-E-100	632	2220	1830	1.3/8"	1.1/8"	199
ECS-503x2-E-100	632	2220	1830	1.3/8"	1.1/8"	199

Capacities kW ECS Condenser

Fin spacing 2.5mm

Model ¹	Capacity ² 10TD	Surface m ²	Airflow m ³ /hr	Tube volume l	Fan dia mm	Fan qty	Voltage Code	Fan Speed rpm	Input ³ Power Watt per fan	Power Amp	Sound pressure level DB(A) 10m
ECS-631-D-30	31,0	91,5	14530	15,8	630	1	V5	1570	2450	7,90	74
ECS-631-D-30	31,0	91,5	14510	15,8	630	1	V4	1525	2390	2,40	74
ECS-631-E-32	33,0	110,0	14360	19,1	630	1	V4	1520	2420	2,50	74
ECS-631-E-32	33,0	110,0	14380	19,1	630	1	V5	1570	2450	7,90	74
ECS-631x2-C-55	60,0	155,0	32330	26,9	630	2 x 1	V4	1530	2370	2,30	75
ECS-631x2-C-55	60,0	155,0	32330	26,9	630	2 x 1	V5	1570	2450	7,90	75
ECS-631x2-D-60	63,9	195,0	31070	33,8	630	2 x 1	V4	1525	2390	2,40	75
ECS-631x2-D-60	63,9	195,0	31070	33,8	630	2 x 1	V5	1570	2450	7,90	75
ECS-631x2-E-65	69,7	235,0	29880	40,5	630	2 x 1	V5	1570	2450	7,90	75
ECS-631x2-E-65	69,7	235,0	29880	40,5	630	2 x 1	V4	1520	2420	2,50	75
ECS-632-C-60	63,7	168,0	32900	29,1	630	2	V5	1570	2450	7,90	75
ECS-632-C-60	63,7	168,0	32900	29,1	630	2	V4	1530	2370	2,30	75
ECS-632-D-70	71,0	210,0	31760	36,2	630	2	V4	1525	2390	2,40	75
ECS-632-D-70	71,0	210,0	31760	36,2	630	2	V5	1570	2450	7,90	75
ECS-632-E-75	76,0	252,0	30660	43,5	630	2	V5	1570	2450	7,90	75
ECS-632-E-75	76,0	252,0	30660	43,5	630	2	V4	1520	2420	2,50	75
ECS-632x2-C-115	119,0	301,0	61730	52,0	630	2 x 2	V4	1530	2370	2,30	77
ECS-632x2-C-115	119,0	301,0	61730	52,0	630	2 x 2	V5	1570	2450	7,90	77
ECS-632x2-D-125	130,0	376,0	58720	65,1	630	2 x 2	V4	1525	2390	2,40	77
ECS-632x2-D-125	130,0	376,0	58720	65,1	630	2 x 2	V5	1570	2450	7,90	77
ECS-632x2-E-130	138,0	451,0	56200	78,0	630	2 x 2	V4	1520	2420	2,50	77
ECS-632x2-E-130	138,0	451,0	56200	78,0	630	2 x 2	V5	1570	2450	7,90	77
ECS-633-C-90	96,0	256,0	49550	44,3	630	3	V5	1570	2450	7,90	76
ECS-633-C-90	96,0	256,0	49550	44,3	630	3	V4	1530	2370	2,30	76
ECS-633-D-100	105,0	320,0	47830	55,0	630	3	V4	1525	2390	2,40	76
ECS-633-D-100	105,0	320,0	47830	55,0	630	3	V5	1570	2450	7,90	76
ECS-633-E-110	112,0	383,0	46820	66,2	630	3	V5	1570	2450	7,90	76
ECS-633-E-110	112,0	383,0	46820	66,2	630	3	V4	1520	2420	2,50	76
ECS-633x2-C-170	168,0	458,0	93070	79,0	630	2 x 3	V5	1570	2450	7,90	79
ECS-633x2-C-170	168,0	458,0	93070	79,0	630	2 x 3	V4	1530	2370	2,30	79
ECS-633x2-D-190	188,0	572,0	88620	98,0	630	2 x 3	V5	1570	2450	7,90	79
ECS-633x2-D-190	188,0	572,0	88620	98,0	630	2 x 3	V4	1525	2390	2,40	79
ECS-633x2-E-205	218,0	687,0	91390	118,0	630	2 x 3	V4	1520	2420	2,40	79
ECS-633x2-E-205	218,0	687,0	91390	118,0	630	2 x 3	V5	1570	2450	7,90	79
ECS-634-C-125	131,0	359,0	66070	61,8	630	4	V5	1570	2450	7,90	77
ECS-634-C-125	131,0	359,0	66070	61,8	630	4	V4	1530	2370	2,30	77
ECS-634-D-135	141,0	449,0	63770	77,6	630	4	V4	1525	2390	2,40	77
ECS-634-D-135	141,0	449,0	63770	77,6	630	4	V5	1570	2450	7,90	77
ECS-802-C-95	103,0	298,0	43900	52,0	800	2	V4	990	2500	4,20	60
ECS-802-D-100	105,0	372,0	43900	63,0	800	2	V4	990	2500	4,20	60
ECS-802-E-110	114,0	447,0	42100	78,0	800	2	V4	990	2500	4,20	60
ECS-802x2-D-180	185,0	572,0	81900	98,0	800	2 x 2	V4	990	2500	4,20	63
ECS-803-D-150	156,0	523,0	63100	89,5	800	3	V4	990	2500	4,20	60
ECS-803-E-155	169,0	628,0	62000	109,0	800	3	V4	990	2500	4,20	60
ECS-803x2-C-230	252,0	804,0	122600	112,0	800	3x2	V4	990	2500	4,20	66
ECS-803x2-D-240	262,0	804,0	122600	138,0	800	3x2	V4	990	2500	4,20	66
ECS-803x2-E-250	271,0	965,0	118700	164,0	800	3x2	V4	990	2500	4,20	66

¹ Max operating pressure 32bar

² All capacities are based on 404A refrigerant. 35 °C amb temp

³ Operating power input

Dimension Table ECS

Model	W	L	H	INLET	OUTLET	Weight kg
ECS-631-D-30	600	1210	1220	7/8"	3/4"	95
ECS-631-D-30	600	1210	1220	7/8"	3/4"	95
ECS-631-E-32	600	1210	1220	7/8"	3/4"	97
ECS-631-E-32	600	1210	1220	7/8"	3/4"	97
ECS-631x2-C-55	600	1380	1830	1.1/8"	7/8"	165
ECS-631x2-C-55	600	1380	1830	1.1/8"	7/8"	165
ECS-631x2-D-60	600	1380	1830	1.1/8"	7/8"	177
ECS-631x2-D-60	600	1380	1830	1.1/8"	7/8"	177
ECS-631x2-E-65	600	1380	1830	1.3/8"	1.1/8"	187
ECS-631x2-E-65	600	1380	1830	1.3/8"	1.1/8"	187
ECS-632-C-60	600	2200	1220	1.3/8"	1.1/8"	125
ECS-632-C-60	600	2200	1220	1.3/8"	1.1/8"	125
ECS-632-D-70	600	2200	1220	1.3/8"	1.1/8"	135
ECS-632-D-70	600	2200	1220	1.3/8"	1.1/8"	135
ECS-632-E-75	600	2200	1220	1.3/8"	1.1/8"	155
ECS-632-E-75	600	2200	1220	1.3/8"	1.1/8"	155
ECS-632x2-C-115	670	2220	2190	1.5/8"	1.1/8"	210
ECS-632x2-C-115	670	2220	2190	1.5/8"	1.1/8"	210
ECS-632x2-D-125	670	2220	2190	1.5/8"	1.3/8"	235
ECS-632x2-D-125	670	2220	2190	1.5/8"	1.3/8"	235
ECS-632x2-E-130	670	2220	2190	1.5/8"	1.3/8"	245
ECS-632x2-E-130	670	2220	2190	1.5/8"	1.3/8"	245
ECS-633-C-90	600	3300	1220	1.3/8"	1.1/8"	110
ECS-633-C-90	600	3300	1220	1.3/8"	1.1/8"	110
ECS-633-D-100	600	3300	1220	1.5/8"	1.1/8"	130
ECS-633-D-100	600	3300	1220	1.5/8"	1.1/8"	130
ECS-633-E-110	600	3300	1220	1.5/8"	1.1/8"	145
ECS-633-E-110	600	3300	1220	1.5/8"	1.1/8"	145
ECS-633x2-C-170	670	3330	2190	2.1/8"	1.5/8"	290
ECS-633x2-C-170	670	3330	2190	2.1/8"	1.5/8"	290
ECS-633x2-D-190	670	3330	2190	2.1/8"	1.5/8"	310
ECS-633x2-D-190	670	3330	2190	2.1/8"	1.5/8"	310
ECS-633x2-E-205	670	3330	2190	2.1/8"	1.5/8"	330
ECS-633x2-E-205	670	3330	2190	2.1/8"	1.5/8"	330
ECS-634-C-125	610	4630	1225	1.5/8"	1.3/8"	160
ECS-634-C-125	610	4630	1225	1.5/8"	1.3/8"	160
ECS-634-D-135	610	4630	1225	1.5/8"	1.3/8"	155
ECS-634-D-135	610	4630	1225	1.5/8"	1.3/8"	155
ECS-802-C-95	890	3320	1430	1.3/8"	1.1/8"	135
ECS-802-D-100	890	3320	1430	1.3/8"	1.1/8"	145
ECS-802-E-110	890	3320	1430	1.5/8"	1.3/8"	155
ECS-802x2-D-180	890	3320	2200	2.1/8"	1.5/8"	320
ECS-803-D-150	890	4700	1430	1.5/8"	1.3/8"	190
ECS-803-E-155	890	4700	1430	1.5/8"	1.3/8"	195
ECS-803x2-C-230	890	4700	2200	2.5/8"	2.1/8"	260
ECS-803x2-D-240	890	4700	2200	2.5/8"	2.1/8"	280
ECS-803x2-E-250	890	4700	2200	2.5/8"	2.1/8"	295

Capacities kW ECH Condenser

Fin spacing 2.5mm

Model ¹	Capacity ² 10TD	Surface m ²	Airflow m ³ /hr	Tube volume l	Fan dia mm	Fan qty	Voltage Code	Fan Speed rpm	Input ³ Power Watt per fan	Power Amp	Sound pressure level DB(A) 10m
ECH-452-D-23	24,6	81	11500	14,1	450	2	V4	1700	520	0,92	42
ECH-452-D-23	24,6	81	11500	14,1	450	2	V5	1700	520	2,10	42
ECH-452-E-28	28,7	97	10600	16,9	450	2	V4	1700	530	0,93	42
ECH-452-E-28	28,7	97	10600	16,9	450	2	V5	1700	530	2,10	42
ECH-502-C-30	32,1	96	15750	16,7	500	2	V4	1480	1060	1,85	45
ECH-502-C-30	32,1	96	15750	16,7	500	2	V5	1480	1050	3,60	45
ECH-502-D-35	37,1	120	15600	20,8	500	2	V4	1480	1060	1,85	45
ECH-502-D-35	37,1	120	15600	20,8	500	2	V5	1480	1050	3,60	45
ECH-502-E-36	41,5	145	15250	25,1	500	2	V5	1480	1050	3,60	45
ECH-502-E-36	41,5	145	15250	25,1	500	2	V4	1480	1060	1,85	45
ECH-502x2-D-65	66,5	213	30360	36,9	500	2 x 2	V5	1480	1050	3,60	49
ECH-502x2-D-65	66,5	213	30360	36,9	500	2 x 2	V4	1480	1060	1,85	49
ECH-502x2-E-70	78,6	256	29700	44,3	500	2 x 2	V4	1480	1060	1,85	49
ECH-502x2-E-70	78,6	256	29700	44,3	500	2 x 2	V5	1480	1050	3,60	49
ECH-503-D-49	51,7	157	23200	27,3	500	3	V4	1480	1060	1,85	47
ECH-503-D-49	51,7	157	23200	27,3	500	3	V5	1480	1050	3,60	47
ECH-503-E-55	59,6	189	22800	32,8	500	3	V4	1480	1060	1,85	47
ECH-503-E-55	59,6	189	22800	32,8	500	3	V5	1480	1050	3,60	47
ECH-503x2-D-95	102,0	315	43200	54,5	500	2 x 3	V4	1480	1060	1,85	53
ECH-503x2-D-95	102,0	315	43200	54,5	500	2 x 3	V5	1480	1050	3,60	53
ECH-503x2-E-100	116,0	378	42900	65,6	500	2 x 3	V4	1480	1060	1,85	53
ECH-503x2-E-100	116,0	378	42900	65,6	500	2 x 3	V5	1480	1050	3,60	53
ECH-632-C-60	63,7	168	32900	29,1	630	2	V4	1530	2370	2,40	75
ECH-632-C-60	63,7	168	32900	29,1	630	2	V5	1570	2450	7,90	75
ECH-632-D-70	71,0	210	31760	36,2	630	2	V5	1570	2450	7,90	75
ECH-632-D-70	71,0	210	31760	36,2	630	2	V4	1525	2390	2,40	75
ECH-632-E-75	76,0	252	30660	43,5	630	2	V5	1570	2450	7,90	75
ECH-632-E-75	76,0	252	30660	43,5	630	2	V4	1520	2420	2,50	75
ECH-632x2-C-115	119,0	301	61730	52,0	630	2 x 2	V4	1530	2370	2,40	77
ECH-632x2-C-115	119,0	301	61730	52,0	630	2 x 2	V5	1570	2450	7,90	77
ECH-632x2-D-125	130,0	376	58720	65,1	630	2 x 2	V5	1570	2450	7,90	77
ECH-632x2-D-125	130,0	376	58720	65,1	630	2 x 2	V4	1525	2390	2,40	77
ECH-632x2-E-125	138,0	451	56200	78,0	630	2 x 2	V5	1570	2450	7,90	77
ECH-632x2-E-125	138,0	451	56200	78,0	630	2 x 2	V4	1520	2420	2,50	77
ECH-633-C-90	96,0	256	49550	44,3	630	3	V4	1530	2370	2,40	76
ECH-633-C-90	96,0	256	49550	44,3	630	3	V5	1570	2450	7,90	76
ECH-633-D-100	105,0	320	47830	55,0	630	3	V4	1525	2390	2,40	76
ECH-633-D-100	105,0	320	47830	55,0	630	3	V5	1570	2450	7,90	76
ECH-633-E-110	112,0	383	46820	66,2	630	3	V4	1520	2420	2,50	76
ECH-633-E-110	112,0	383	46820	66,2	630	3	V5	1570	2450	7,90	76
ECH-633x2-C-170	168,0	458	93070	79,0	630	2 x 3	V5	1570	2450	7,90	79
ECH-633x2-C-170	168,0	458	93070	79,0	630	2 x 3	V4	1530	2370	2,40	79
ECH-633x2-D-190	188,0	572	88620	98,0	630	2 x 3	V4	1525	2390	2,40	79
ECH-633x2-D-190	188,0	572	88620	98,0	630	2 x 3	V5	1570	2450	7,90	79
ECH-633x2-E-205	218,0	687	91390	118,0	630	2 x 3	V4	1520	2420	2,50	79
ECH-633x2-E-205	218,0	687	91390	118,0	630	2 x 3	V5	1570	2450	7,90	79

¹ Max operating pressure 32bar

² All capacities are based on 404A refrigerant, 35 °C amb temp

³ Operating power input

Dimension Table

Model	W	L	H	INLET	OUTLET	Weight kg
ECH-452-D-23	870	1420	1050	7/8"	3/4"	75
ECH-452-D-23	870	1420	1050	7/8"	3/4"	75
ECH-452-E-28	870	1420	1050	7/8"	3/4"	84
ECH-452-E-28	870	1420	1050	7/8"	3/4"	84
ECH-502-C-30	960	1730	1050	1.1/8"	7/8"	96
ECH-502-C-30	960	1730	1050	1.1/8"	7/8"	96
ECH-502-D-35	960	1730	1050	1.1/8"	7/8"	105
ECH-502-D-35	960	1730	1050	1.1/8"	7/8"	105
ECH-502-E-36	960	1730	1050	1.1/8"	7/8"	132
ECH-502-E-36	960	1730	1050	1.1/8"	7/8"	132
ECH-502x2-D-65	1750	1750	1050	1.3/8"	1.1/8"	210
ECH-502x2-D-65	1750	1750	1050	1.3/8"	1.1/8"	210
ECH-502x2-E-70	1750	1750	1050	1.3/8"	1.1/8"	245
ECH-502x2-E-70	1750	1750	1050	1.3/8"	1.1/8"	245
ECH-503-D-49	920	2290	1050	1.1/8"	7/8"	120
ECH-503-D-49	920	2290	1050	1.1/8"	7/8"	120
ECH-503-E-55	920	2290	1050	1.1/8"	7/8"	135
ECH-503-E-55	920	2290	1050	1.1/8"	7/8"	135
ECH-503x2-D-95	1930	2290	1050	1.5/8"	1.3/8"	240
ECH-503x2-D-95	1930	2290	1050	1.5/8"	1.3/8"	240
ECH-503x2-E-100	1930	2290	1050	1.5/8"	1.3/8"	300
ECH-503x2-E-100	1930	2290	1050	1.5/8"	1.3/8"	300
ECH-632-C-60	1320	2290	1180	1.3/8"	1.1/8"	150
ECH-632-C-60	1320	2290	1180	1.3/8"	1.1/8"	150
ECH-632-D-70	1320	2290	1180	1.3/8"	1.1/8"	170
ECH-632-D-70	1320	2290	1180	1.3/8"	1.1/8"	170
ECH-632-E-75	1320	2290	1180	1.5/8"	1.1/8"	185
ECH-632-E-75	1320	2290	1180	1.5/8"	1.1/8"	185
ECH-632x2-C-115	2290	2290	1260	1.5/8"	1.3/8"	190
ECH-632x2-C-115	2290	2290	1260	1.5/8"	1.3/8"	190
ECH-632x2-D-125	2290	2290	1260	1.5/8"	1.3/8"	210
ECH-632x2-D-125	2290	2290	1260	1.5/8"	1.3/8"	210
ECH-632x2-E-125	2290	2290	1260	2.1/8"	1.5/8"	230
ECH-632x2-E-125	2290	2290	1260	2.1/8"	1.5/8"	230
ECH-633-C-90	1325	3340	1500	1.3/8"	1.1/8"	250
ECH-633-C-90	1325	3340	1500	1.3/8"	1.1/8"	250
ECH-633-D-100	1325	3340	1400	1.5/8"	1.1/8"	270
ECH-633-D-100	1325	3340	1400	1.5/8"	1.1/8"	270
ECH-633-E-110	1325	3340	1400	1.5/8"	1.3/8"	287
ECH-633-E-110	1325	3340	1400	1.5/8"	1.3/8"	287
ECH-633x2-C-170	2290	3470	1260	2.1/8"	1.5/8"	390
ECH-633x2-C-170	2290	3470	1260	2.1/8"	1.5/8"	390
ECH-633x2-D-190	2290	3470	1260	2.1/8"	1.5/8"	410
ECH-633x2-D-190	2290	3470	1260	2.1/8"	1.5/8"	410
ECH-633x2-E-205	2290	3470	1260	2.1/8"	1.5/8"	435
ECH-633x2-E-205	2290	3470	1260	2.1/8"	1.5/8"	435

Capacities kW ECH Condenser (cont.)

Fin spacing 2.5mm

Model ¹	Capacity ² 10TD	Surface m ²	Airflow m ³ /hr	Tube volume l	Fan dia mm	Fan qty	Voltage Code	Fan Speed rpm	Input ³ Power Watt per fan	Power Amp	Sound pressure level DB(A) 10m
ECH-634-C-125	131,0	359	66070	61,8	630	4	V4	1530	2370	2,40	77
ECH-634-C-125	131,0	359	66070	61,8	630	4	V5	1570	2450	7,90	77
ECH-634-D-135	147,0	449	63770	77,6	630	4	V5	1570	2450	7,90	77
ECH-634-D-135	147,0	449	63770	77,6	630	4	V4	1525	2390	2,40	77
ECH-802-D-100	106,0	372	43900	63,0	800	2	V4	990	2500	4,20	60
ECH-802-E-110	119,0	447	42100	78,0	800	2	V4	990	2500	4,20	60
ECH-802x2-C-160	170,0	458	85000	79,0	800	2 x 2	V4	990	2500	4,10	62
ECH-802x2-D-180	189,0	572	81900	98,0	800	2 x 2	V4	990	2500	4,20	62
ECH-802x2-E-190	197,0	686	80200	119,0	800	2 x 2	V4	990	2500	4,20	60
ECH-803-D-150	156,0	523	63100	89,5	800	3	V4	990	2500	4,20	60
ECH-803-E-155	178,0	628	62000	109,0	800	3	V4	990	2500	4,20	60
ECH-803x2-D-240	262,0	804	122600	138,0	800	2 x 3	V4	990	2500	4,20	65
ECH-803x2-E-250	271,0	965	118700	164,0	800	2 x 3	V4	990	2500	4,20	65

¹ Max operating pressure 32bar

² All capacities are based on 404A refrigerant. 35 °C amb temp

³ Operating power input

Capacities kW ECV/ECW Condenser

Fin spacing 2.0mm

Model ¹	Capacity ² 10TD	Surface m ²	Airflow m ³ /hr	Tube volume l	Fan dia mm	Fan qty	Voltage Code	Fan Speed rpm	Input ³ Power Watt per fan	Power Amp	Sound pressure level DB(A) 10m
ECV-632-B-60	60,0	191,0	35320	27,2	630	2	V4	1530	2360	2,40	75
ECV-632-B-60	60,0	191,0	35320	27,2	630	2	V5	1530	2360	7,90	75
ECV-632-C-70	73,0	256,0	34240	36,2	630	2	V4	1530	2370	2,40	75
ECV-632-C-70	73,0	256,0	34240	36,2	630	2	V5	1530	2370	7,90	75
ECV-633-B-90	94,0	275,0	52630	41,5	630	3	V4	1530	2360	2,40	76
ECV-633-B-90	94,0	275,0	52630	41,5	630	3	V5	1530	2360	7,90	76
ECV-633-C-105	110,0	337,0	50990	53,2	630	3	V4	1530	2370	2,40	76
ECV-633-C-105	110,0	337,0	50990	53,2	630	3	V5	1530	2370	7,90	76
ECV-633-D-110	119,0	458,0	49520	67,1	630	3	V5	1525	2390	7,90	76
ECV-633-D-110	119,0	458,0	49520	67,1	630	3	V4	1525	2390	2,50	76
ECV-634-B-125	132,0	412,0	71280	59,3	630	4	V5	1530	2360	7,90	77
ECV-634-B-125	132,0	412,0	71280	59,3	630	4	V4	1530	2360	2,40	77
ECV-634-C-145	155,0	550,0	69350	79,2	630	4	V5	1530	2370	7,90	77
ECV-634-C-145	155,0	550,0	69350	79,2	630	4	V4	1530	2370	2,40	77
ECV-634-D-160	167,0	687,0	67650	99,5	630	4	V5	1525	2390	7,90	77
ECV-634-D-160	167,0	687,0	67650	99,5	630	4	V4	1525	2390	2,50	77
ECV-635-D-180	189,0	687,0	80490	99,5	630	5	V4	1520	2395	2,50	78
ECV-635-D-180	189,0	687,0	80490	99,5	630	5	V5	1525	2390	7,90	78
ECW-764-B-130-T	132,0	474,0	78100	49,5	760	4	V4	1080	1500	2,90	59
ECW-764-C-165-T	170,0	632,0	76900	65,8	760	4	V4	1080	1500	2,90	59
ECW-766-B-220-T	223,2	711,0	117600	74,0	760	6	V4	1080	1500	2,90	61
ECW-766-C-260-T	271,5	948,0	115200	98,0	760	6	V4	1080	1500	2,90	61
ECW-768-B-280-T	284,1	948,0	156600	98,0	760	8	V4	1080	1500	2,90	64
ECW-768-C-350-T	358,6	1265,0	153500	132,0	760	8	V4	1080	1500	2,90	64

¹ Max operating pressure 32bar

² All capacities are based on 404A refrigerant. 35 °C amb temp

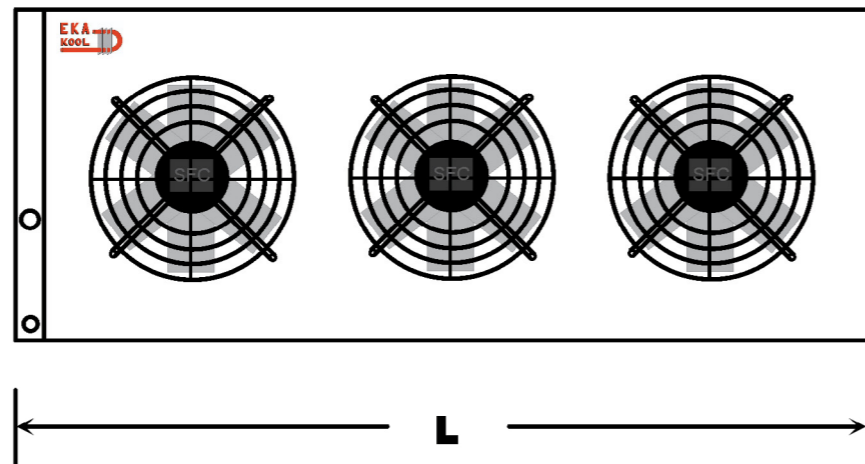
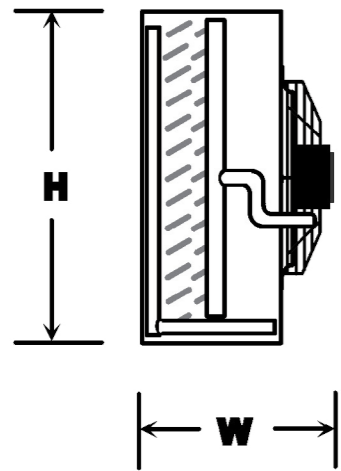
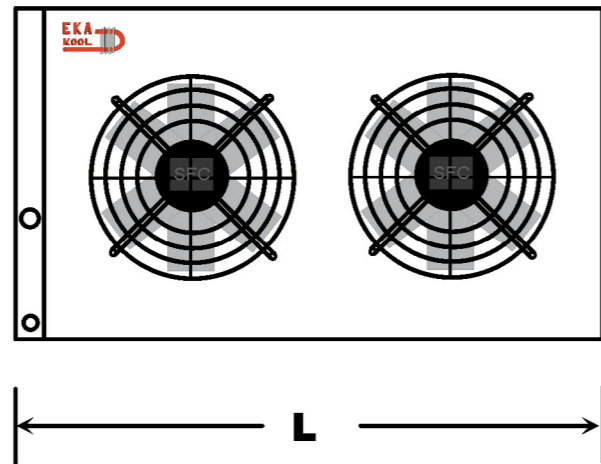
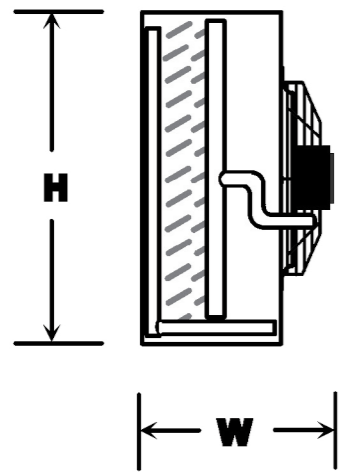
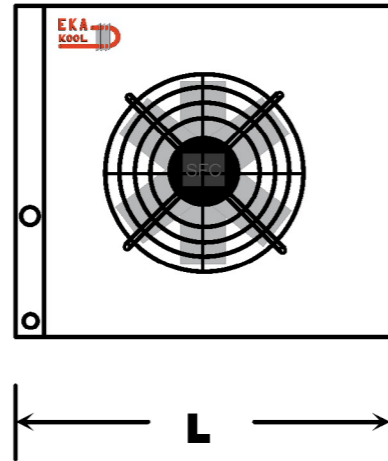
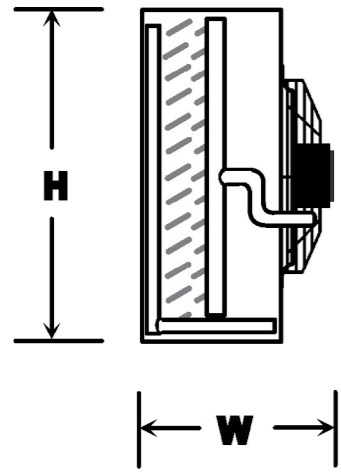
³ Operating power input

Dimension Table

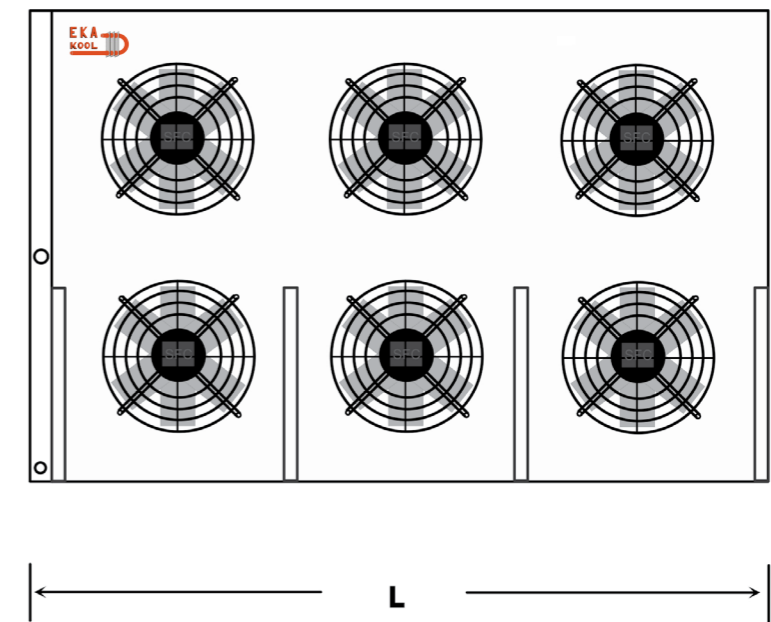
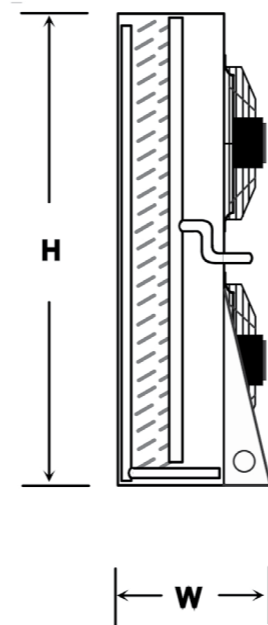
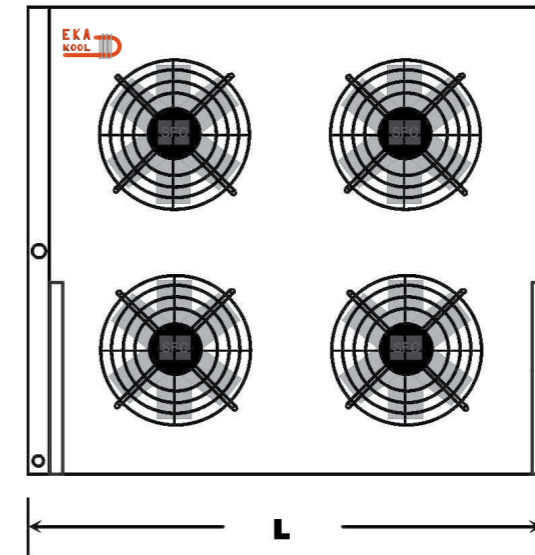
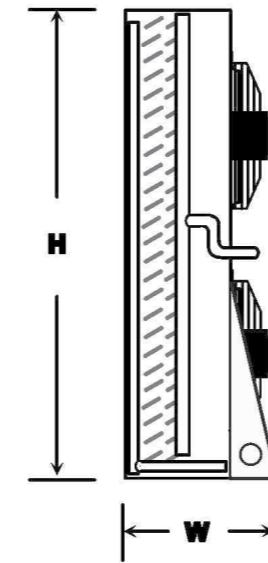
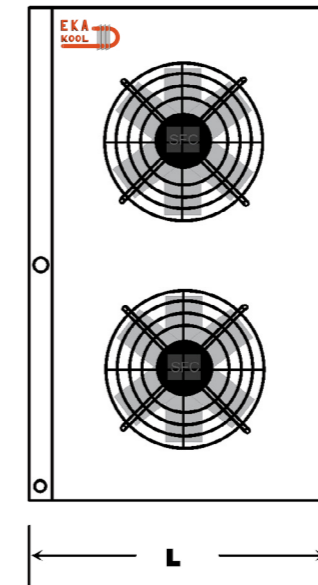
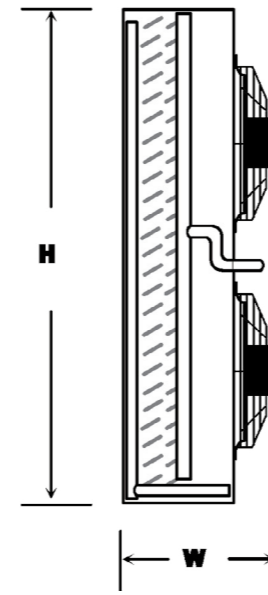
Model	W	L	H	INLET	OUTLET	Weight kg
ECH-634-C-125	1325	4700	1240	1 5/8"	1 3/8"	280
ECH-634-C-125	1325	4700	1240	1 5/8"	1 3/8"	280
ECH-634-D-135	1325	4700	1240	1 5/8"	1 3/8"	300
ECH-634-D-135	1325	4700	1240	1 5/8"	1 3/8"	300
ECH-802-D-100	1490	3470	1600	1 5/8"	1 3/8"	190
ECH-802-E-110	1490	3470	1600	1 5/8"	1 3/8"	190
ECH-802x2-C-160	2290	3470	1600	2 1/8"	1 5/8"	350
ECH-802x2-D-180	2290	3470	1600	2 1/8"	1 5/8"	350
ECH-802x2-E-190	2340	3470	1600	2 5/8"	2 1/8"	370
ECH-803-D-150	990	4750	1600	1 5/8"	1 3/8"	280
ECH-803-E-155	990	4750	1600	2 1/8"	1 5/8"	300
ECH-803x2-D-240	2340	4400	1600	2 5/8"	2 1/8"	550
ECH-803x2-E-250	2340	4400	1600	2 5/8"	2 1/8"	570

Model	W	L	H	INLET	OUTLET	Weight kg
ECV-632-B-60	1100	1910	1170	7/8"	3/4"	460
ECV-632-B-60	1100	1910	1170	7/8"	3/4"	460
ECV-632-C-70	1100	1910	1170	1 1/8"	7/8"	510
ECV-632-C-70	1100	1910	1170	1 1/8"	7/8"	510
ECV-633-B-90	1100	2710	1170	1 1/8"	7/8"	710
ECV-633-B-90	1100	2710	1170	1 1/8"	7/8"	710
ECV-633-C-105	1100	2710	1170	1 3/8"	1 1/8"	760
ECV-633-C-105	1100	2710	1170	1 3/8"	1 1/8"	760
ECV-633-D-110	1100	2710	1170	1 3/8"	1 1/8"	810
ECV-633-D-110	1100	2710	1170	1 3/8"	1 1/8"	810
ECV-634-B-125	1100	4020	1170	1 3/8"	1 1/8"	910
ECV-634-B-125	1100	4020	1170	1 3/8"	1 1/8"	910
ECV-634-C-145	1100	4020	1170	1 3/8"	1 1/8"	1020
ECV-634-C-145	1100	4020	1170	1 3/8"	1 1/8"	1020
ECV-634-D-160	1100	4020	1170	1 3/8"	1 1/8"	1130
ECV-634-D-160	1100	4020	1170	1 3/8"	1 1/8"	1130
ECV-635-D-180	1100	4020	1170	1 5/8"	1 3/8"	1150
ECV-635-D-180	1100	4020	1170	1 5/8"	1 3/8"	1150
ECW-764-B-130-T	2520	2215	1720	1 5/8"	1 1/8"	900
ECW-764-C-165-T	2520	2215	1720	1 5/8"	1 1/8"	1300
ECW-766-B-220-T	3540	2215	1720	2 1/8"	1 3/8"	1200
ECW-766-C-260-T	3540	2215	1720	2 1/8"	1 3/8"	1350
ECW-768-B-280-T	4546	2215	1720	2 1/8"	1 5/8"	1600
ECW-768-C-350-T	4546	2215	1720	2 1/8"	1 5/8"	2200

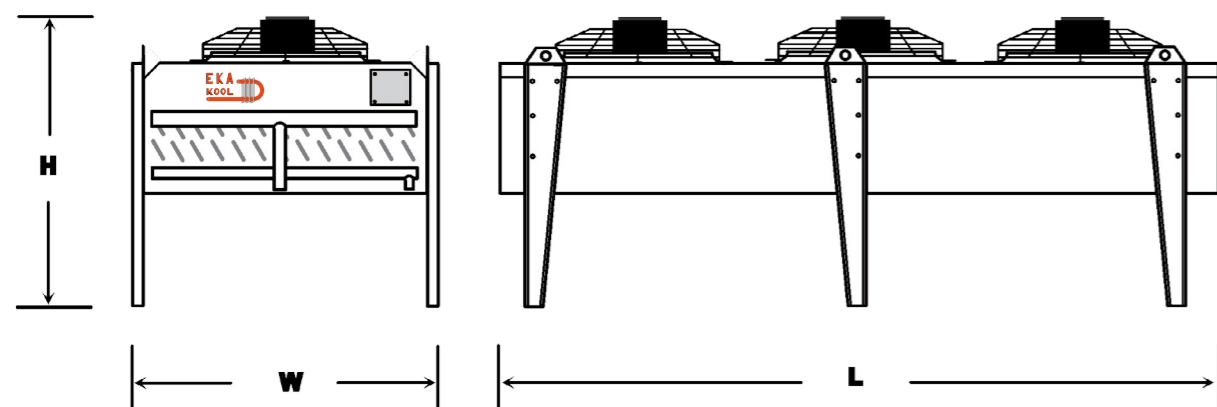
Dimension drawing ECS



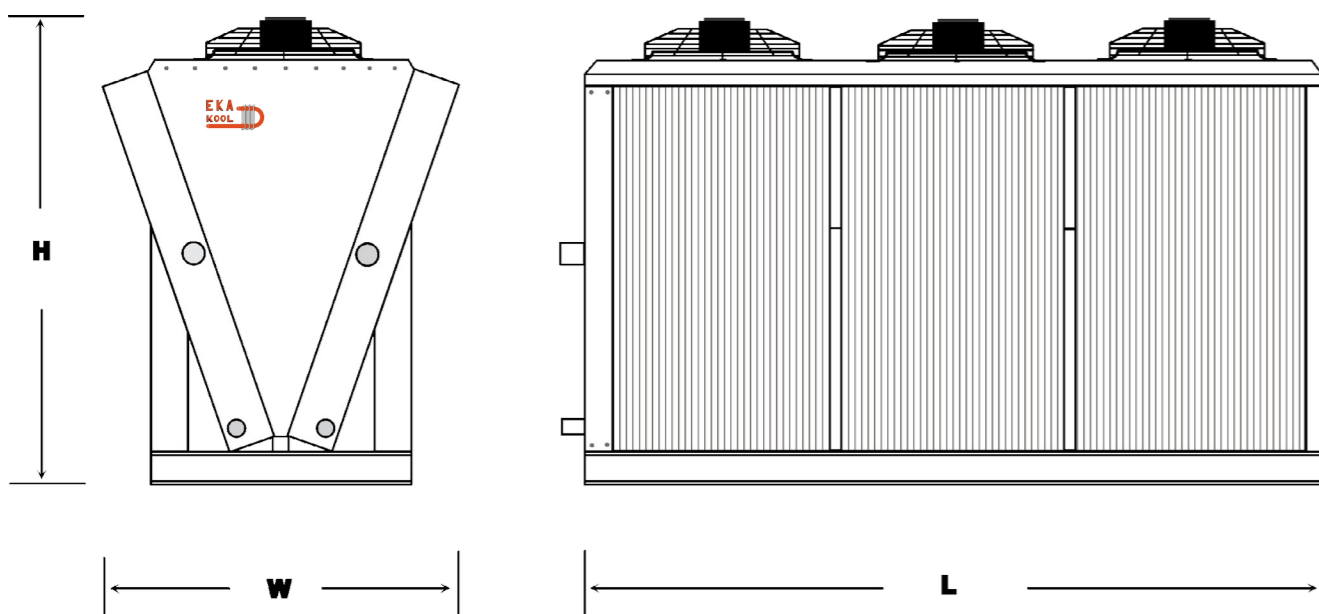
Dimension drawing ECSx2



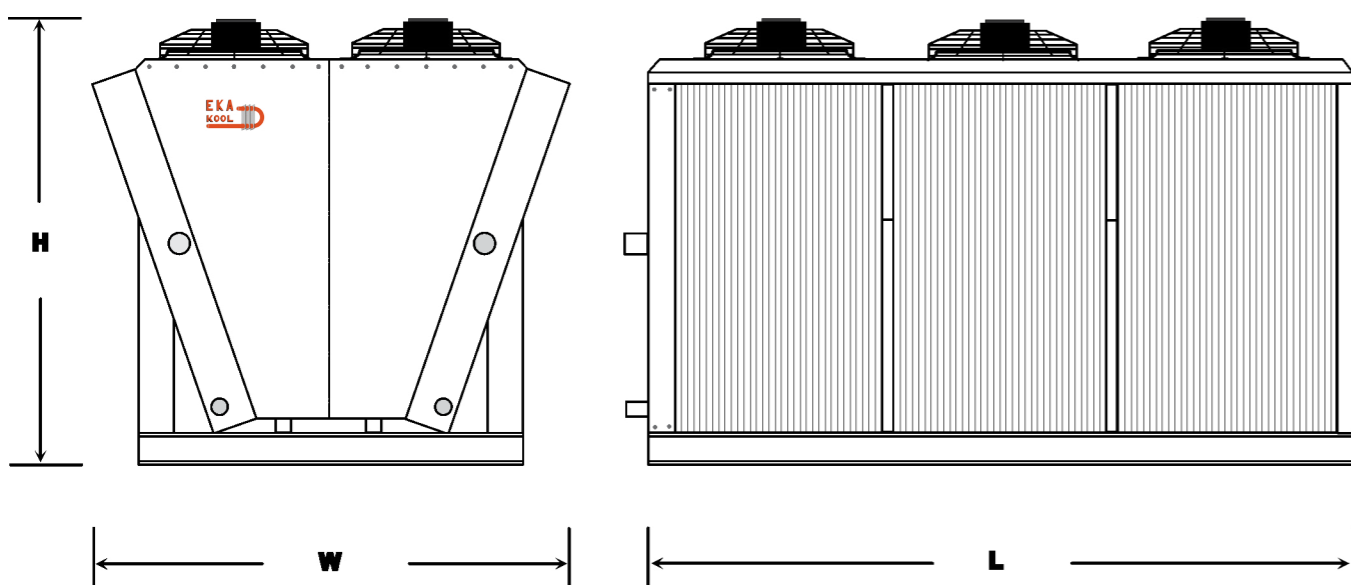
Dimension drawing ECH



Dimension drawing ECV



Dimension drawing ECU



General specification EKA-KOOL Condensers

All EKA-KOOL products are ISO 9001:2008 certified and all production processes undergo quality control procedures. All staff are well trained within their scope of competence and the company lives up to all authority regulations. The company respects local culture and value bringing harmony between work and private lives.

Capacity

All our capacities are calculated on R404A. The refrigerating capacities refer to an air inlet temperature difference which results from the difference between ambient air temperature T_{amp} and condensing temperature T_{cond} . Please use our

EKA-CALC for exact thermodynamic design in different operating conditions. Our technical team are ready to support you on all technical issues at info@eka-kool.com

Coils

Fins are made of high quality aluminium alloy and mechanically expanded onto high grade copper tube. Tube sizes is 3/8" and 1/2" Fin spacing 2.5mm. All coils are leak tested with dry nitrogen ensuring

leak free coils. All coils are delivered with a holding charge of dry nitrogen once the leak test has been approved by our quality control department

Casing

Robust and strong supported zink steel coated casing. Individual fan segments for optimal air distribution and fan control. Casing design with

angle corners of 45 degree for easy welding of inlet and out connections during installation

Fan Motors

Powerfull, low noise, internal rotor., axial fan motors in protection class IP44 for all fan diameters 250mm - 400mm and IP66 for all fan diameters 500mm-1000mm. Winding temperature class for all motors is THCI 155 (IEC 60085). Electrical dimensioning is conducted according to regulation of rotating electrical machines DIN EN 60034-1 and internal balance with protection guard grill according to EN294.

Three phase 400V 50Hz or 480V 60Hz for all fans 500mm-1000mm optional available for all other voltages of 4poles. 6poles. 8 poles and 12 poles. Reliability and low power consumption. Please refer to the nameplate for more information. Admissible air temperature -40 °C to +60 °C . All fans are pre-wired to the weather proof terminal box. tested and approved by electrical department at factory to secure safety and optimal operation of the motors.

Single phase 230V 50/60HZ for all fans 250mm-400mm with optional of 3 phase 230V/400V 50Hz/60Hz.

Sound

Comply to standard procedure for calculation of

sound pressure level according to EN13487.

Pakaging

All EKA-KOOL's units delivered packaged in instalation position. All units small than ECS/ECH-402-E packaged in strong and robust carton box. All units larger than ECS/ECH-402X2 packaged

in wooden case
All units of model ECV, ECU and ECW packaged in wooden case

Accessories

Fan motors. fan blade (rotors). electrical heaters. drain tray. feet for floor mounting. wall brackets.

electrical box.
Please consult with our technical department for more information

Your Success is Our Success

EKA-KOOL®. the specialist in fin & tube heat exchangers technology proudly present to the market its unique design commercial line serving the refrigeration and air-conditioning industries.

EKA-KOOL® stands for efficiency. value for your investment. true performer and a trustworthy partner to your business.



EKA-KOOL Pte Ltd
Blk 224, Lorong 8
Toa Payoh
Singapore 310224
Telephone +84903788664
Email: info@eka-kool.com
Literature no. ECS-052017-E1-04

Subject to technical amendments without prior notice. Apply to our general terms and conditions of sales which can be found on our website and on request

www.eka-kool.com