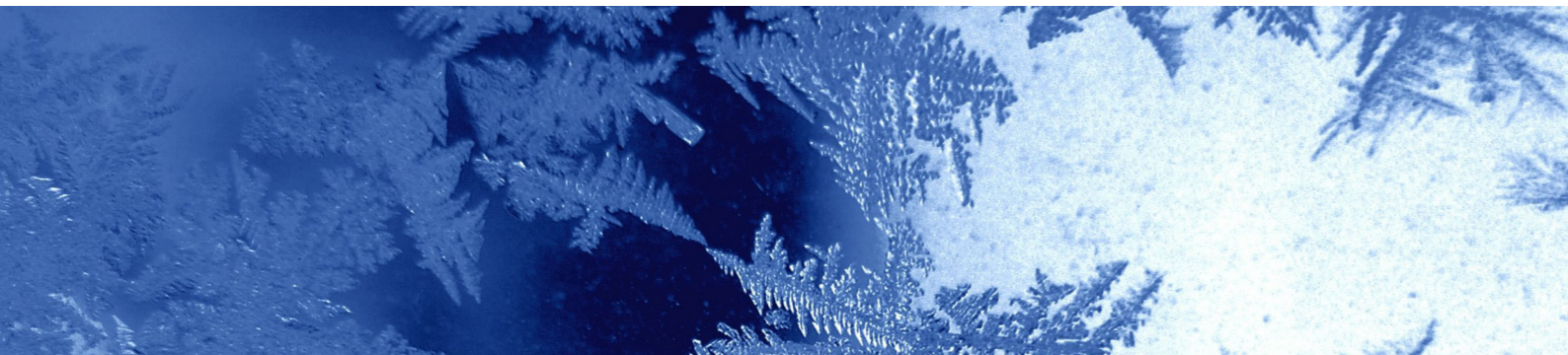


Condenser





Product range

Applicable for all HFC refrigerants

Series	Capacity kW	Fin Spacing	Air-flow direction
ECS	1 to 1000	2.5 mm	horizontal
ECH	50 to 1000	2.5 mm	Vertical
ECV	50 to 300	2.0 mm	Vertical
ECU	100 to 500	2.0 mm	Vertical
ECW	50 to 500	2.0 mm	Vertical

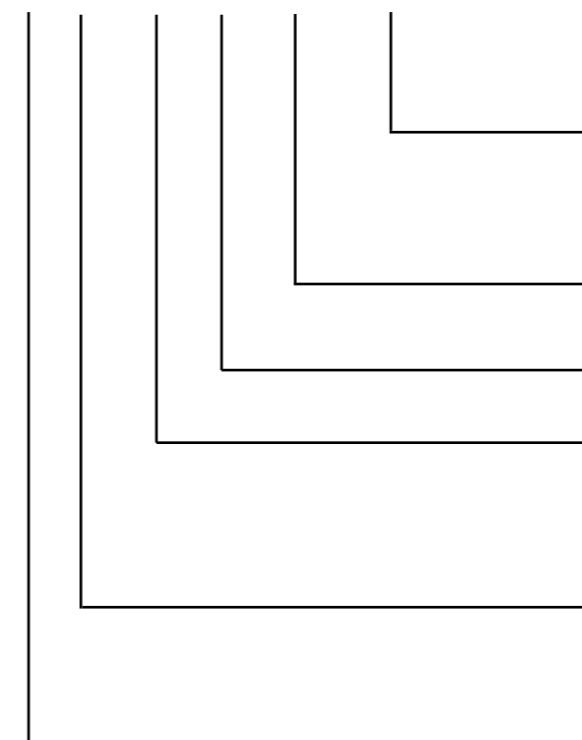
Capacity Multiplying Factors	
R404a	1
R507	1.01
R22	0.96
R134a	0.93

Other Fin Materials Correction Factors	
Aluminium	1
Coated aluminium (blue fin)	0.97
Copper	1.03



Product nomenclature

E CS 040 2 E59 V



Voltage code:
 V1: 230V 1ph 50/60Hz
 V2: 230V 1ph 50Hz;
 V3: 400V 3ph 50Hz
 V4: 480V 3ph 60Hz;
 V5: 230V 3ph 60Hz

Coil module code

No. of fan

Fan code

CS: High Performance vertical condenser
 CH: High Performance horizontal condenser
 CV: High Performance V condenser
 CU: High Performance U condenser
 CW: High Performance W condenser

EKA-KOOL Heat Exchangers



Capacities kW ECS Condenser

Fin spacing 2.5mm

Model ¹	Capacity ² 10TD	Surface m ²	Airflow m ³ /hr	Tube volume l	Fan dia mm	Fan qty	Voltage Code	Fan Speed rpm	Input ³ Power Watt per fan	Power Amp	Sound pressure level DB(A) 10m
ECS-251-A-1.2	1,1	3,6	890	0,5	250	1	V1	1370	63	0,27	31
ECS-251-B-1.6	1,6	5,5	890	0,7	250	1	V1	1370	63	0,27	31
ECS-251-C-2	2,0	8,5	890	0,9	250	1	V1	1370	63	0,27	31
ECS-301-B-2.7	3,0	8,9	1620	2,0	300	1	V1	1400	110	0,49	33
ECS-301-C-3.6	3,5	12,0	1580	2,6	300	1	V1	1400	110	0,49	33
ECS-301-C-4	3,8	13,4	1600	2,7	300	1	V1	1400	110	0,49	33
ECS-301-D-5	4,5	16,8	1600	3,1	300	1	V1	1400	110	0,49	33
ECS-302-C-7.6	7,4	25,5	3200	4,5	300	2	V1	1400	110	0,49	37
ECS-302-D-9.5	8,5	31,8	3150	5,5	300	2	V1	1400	110	0,49	37
ECS-351-C-5.5	5,4	18,3	2290	3,2	350	1	V1	1380	145	0,67	36
ECS-351-D-6.8	6,0	22,9	2280	4,1	350	1	V1	1370	145	0,67	36
ECS-352-C-11	10,7	36,6	4580	6,4	350	2	V1	1380	145	0,67	38
ECS-352-D-13	12,3	45,7	4510	8,0	350	2	V1	1370	145	0,67	38
ECS-352x2-C-21	21,8	73,2	9200	12,8	350	2 x 2	V1	1380	145	0,67	40
ECS-352x2-D-25	24,8	91,4	9100	16,1	350	2 x 2	V1	1370	145	0,67	40
ECS-353-C-17	16,5	55,9	6990	9,8	350	3	V1	1380	145	0,67	40
ECS-353-D-20	18,6	69,7	6820	11,8	350	3	V1	1370	145	0,67	40
ECS-401-B-5.4	5,7	18,0	3110	3,8	400	1	V2	1300	190	0,88	40
ECS-401-B-5.4	5,7	18,0	3110	3,8	400	1	V3	1380	210	0,53	40
ECS-401-C-7.2	7,1	24,0	3060	4,1	400	1	V3	1380	210	0,54	40
ECS-401-C-7.2	7,1	24,0	3050	4,1	400	1	V2	1300	190	0,89	40
ECS-401-D-9	7,6	28,7	2800	6,7	400	1	V2	1300	190	0,89	40
ECS-401-D-9	7,6	28,7	2860	6,7	400	1	V3	1380	210	0,54	40
ECS-402-C-13	13,2	43,9	5980	7,6	400	2	V2	1300	190	0,89	42
ECS-402-C-13	13,3	43,9	5990	7,6	400	2	V3	1380	210	0,54	42
ECS-402-D-16	16,2	52,7	5730	10,8	400	2	V3	1380	210	0,54	42
ECS-402-D-16	16,0	52,7	5700	10,8	400	2	V2	1300	190	0,89	42
ECS-402-D-18	16,8	64,1	6250	11,2	400	2	V2	1300	190	0,89	42
ECS-402-D-18	17,1	64,1	6270	11,2	400	2	V3	1380	210	0,54	42
ECS-402-E-20	18,0	76,9	6140	13,4	400	2	V3	1380	210	0,54	42
ECS-402-E-20	17,8	76,9	6120	13,4	400	2	V2	1300	190	0,89	42
ECS-402x2-C-26	26,8	87,8	11900	15,3	400	2 x 2	V2	1300	190	0,89	45
ECS-402x2-C-26	26,8	87,8	11900	15,3	400	2 x 2	V3	1380	210	0,54	45
ECS-402x2-D-32	31,4	109,7	11600	19,1	400	2 x 2	V2	1300	190	0,89	45
ECS-402x2-D-32	31,4	109,7	11600	19,1	400	2 x 2	V3	1380	210	0,54	45
ECS-451-D-14	13,5	49,9	4950	8,7	450	1	V3	1400	400	0,85	39
ECS-452-C-20	22,0	64,8	11600	11,3	450	2	V3	1400	400	0,85	40
ECS-452-C-20	20,8	64,8	9920	11,3	450	2	V3	1400	400	0,85	39
ECS-452-D-23	23,6	81,0	9650	14,1	450	2	V3	1400	400	0,85	41
ECS-452-E-28	25,8	97,3	9480	16,9	450	2	V3	1400	410	0,86	41
ECS-452x2-C-43	43,1	138,3	19800	23,9	450	2 x 2	V3	1400	390	0,85	46
ECS-452x2-D-50	48,2	173,0	19200	30,1	450	2 x 2	V3	1400	410	0,85	47
ECS-452x2-E-52	51,3	208,0	18600	36,3	450	2 x 2	V3	1400	410	0,86	46

¹ Max operating pressure 32bar

² All capacities are based on 404A refrigerant, 35 °C amb temp

³ Operating power input

Dimension Table ECS

Model	W	L	H	W1	INLET	OUTLET	Weight kg
ECS-251-A-1.2	280	420	310	N/A	3/8"	5/16"	12
ECS-251-B-1.6	300	420	310	N/A	3/8"	5/16"	15
ECS-251-C-2	300	420	360	N/A	3/8"	3/8"	18
ECS-301-B-2.7	300	520	410	N/A	3/8"	3/8"	15
ECS-301-C-3.6	300	520	410	N/A	1/2"	3/8"	17
ECS-301-C-4	300	520	462	N/A	1/2"	3/8"	19
ECS-301-D-5	300	520	462	N/A	1/2"	3/8"	21
ECS-302-C-7.6	300	930	462	N/A	1/2"	3/8"	24
ECS-302-D-9.5	300	930	462	N/A	5/8"	1/2"	25
ECS-351-C-5.5	350	640	512	N/A	1/2"	3/8"	20
ECS-351-D-6.8	350	640	512	N/A	1/2"	3/8"	22
ECS-352-C-11	350	1190	512	N/A	5/8"	1/2"	36
ECS-352-D-13	350	1190	512	N/A	3/4"	1/2"	38
ECS-352x2-C-21	350	1200	1015	N/A	7/8"	3/4"	49
ECS-352x2-D-25	350	1200	1015	N/A	7/8"	3/4"	50
ECS-353-C-17	350	1690	535	N/A	3/4"	5/8"	57
ECS-353-D-20	350	1690	535	N/A	7/8"	3/4"	59
ECS-401-B-5.4	400	690	615	N/A	1/2"	3/8"	26
ECS-401-B-5.4	400	690	615	N/A	1/2"	3/8"	26
ECS-401-C-7.2	400	690	615	N/A	1/2"	3/8"	27
ECS-401-C-7.2	400	690	615	N/A	1/2"	3/8"	27
ECS-401-D-9	400	690	615	N/A	5/8"	1/2"	28
ECS-401-D-9	400	690	615	N/A	5/8"	1/2"	28
ECS-402-C-13	400	1190	615	N/A	5/8"	1/2"	43
ECS-402-C-13	400	1190	615	N/A	5/8"	1/2"	43
ECS-402-D-16	400	1190	615	N/A	3/4"	5/8"	48
ECS-402-D-16	400	1190	615	N/A	3/4"	5/8"	48
ECS-402-D-18	400	1190	715	N/A	3/4"	5/8"	52
ECS-402-D-18	400	1190	715	N/A	3/4"	5/8"	52
ECS-402-E-20	400	1190	715	N/A	7/8"	5/8"	57
ECS-402-E-20	400	1190	715	N/A	7/8"	5/8"	57
ECS-402x2-C-26	400	1190	1220	N/A	7/8"	5/8"	82
ECS-402x2-C-26	400	1190	1220	N/A	7/8"	5/8"	82
ECS-402x2-D-32	400	1190	1220	N/A	7/8"	3/4"	91
ECS-402x2-D-32	400	1190	1220	N/A	7/8"	3/4"	91
ECS-451-D-14	450	900	765	N/A	5/8"	1/2"	35
ECS-452-C-20	450	1395	765	N/A	3/4"	5/8"	42
ECS-452-C-20	450	1395	765	N/A	3/4"	5/8"	42
ECS-452-D-23	450	1395	765	N/A	7/8"	3/4"	44
ECS-452-E-28	450	1395	765	N/A	7/8"	3/4"	47
ECS-452x2-C-43	450	1395	1630	N/A	1.1/8"	3/4"	56
ECS-452x2-D-50	450	1395	1630	N/A	1.1/8"	7/8"	59
ECS-452x2-E-52	450	1395	1630	N/A	1.1/8"	7/8"	62

Capacities kW ECH Condenser

Fin spacing 2.5mm

Model ¹	Capacity ² 10TD	Surface m ²	Airflow m ³ /hr	Tube volume l	Fan dia mm	Fan qty	Voltage Code	Fan Speed rpm	Input ³ Power Watt per fan	Power Amp	Sound pressure level DB(A) 10m
ECH-452-D-23	23,6	81,0	9650	14,1	450	2	V3	1400	400	0,85	41
ECH-452-E-28	25,8	97,3	9480	16,9	450	2	V3	1400	410	0,86	41
ECH-502-C-30	30,6	96,1	13410	16,7	500	2	V3	1300	690	1,50	43
ECH-502-D-35	33,1	120,0	12880	20,8	500	2	V3	1300	690	1,50	43
ECH-502-E-36	35,0	145,0	12380	25,1	500	2	V3	1300	690	1,50	43
ECH-502x2-D-65	63,8	213,0	25170	36,9	500	2 x 2	V3	1300	690	1,50	47
ECH-502x2-E-70	69,1	256,0	23970	44,3	500	2 x 2	V3	1300	690	1,50	47
ECH-503-D-49	50,0	157,2	18800	27,3	500	3	V3	1300	690	1,50	45
ECH-503-E-55	53,2	189,0	18650	32,8	500	3	V3	1300	690	1,50	45
ECH-503x2-D-95	93,0	315,0	36790	54,5	500	2 x 3	V3	1300	690	1,50	52
ECH-503x2-E-100	97,0	378,0	34890	65,6	500	2 x 3	V3	1300	690	1,50	52
ECH-632-C-60	59,3	168,0	27880	29,1	630	2	V3	1380	1720	1,80	75
ECH-632-D-70	66,2	210,0	26910	36,2	630	2	V3	1380	1760	1,80	75
ECH-632-E-75	71,0	252,0	25980	43,5	630	2	V3	1375	1805	1,90	75
ECH-632x2-C-115	112,0	301,0	55150	52,0	630	2 x 2	V3	1380	1720	1,80	77
ECH-632x2-D-125	122,0	376,0	52700	65,1	630	2 x 2	V3	1380	1760	1,80	77
ECH-632x2-E-125	129,0	451,0	50320	78,0	630	2 x 2	V3	1375	1805	1,90	77
ECH-633-C-90	89,5	256,0	41990	44,3	630	3	V3	1380	1720	1,80	76
ECH-633-D-100	98,5	320,0	40530	55,0	630	3	V3	1380	1760	1,80	76
ECH-633-E-110	105,0	383,0	39680	66,2	630	3	V3	1375	1805	1,90	76
ECH-633x2-C-170	170,0	458,0	83100	79,0	630	2 x 3	V3	1380	1720	1,80	79
ECH-633x2-D-190	186,0	572,0	79580	98,0	630	2 x 3	V3	1380	1760	1,80	79
ECH-633x2-E-205	197,0	687,0	75990	118,0	630	2 x 3	V3	1375	1805	1,90	79
ECH-634-C-125	125,0	359,0	55990	61,8	630	4	V3	1380	1720	1,80	77
ECH-634-D-135	133,0	449,0	54100	77,6	630	4	V3	1380	1760	1,80	77
ECH-802-D-100	98,0	372,0	38510	63,0	800	2	V3	870	1600	3,60	59
ECH-802-E-110	104,0	447,0	36890	78,0	800	2	V3	870	1600	3,60	59
ECH-802x2-C-160	159,0	458,0	73700	79,0	800	2 x 2	V3	870	1580	3,50	62
ECH-802x2-D-180	170,0	572,0	69100	98,0	800	2 x 2	V3	870	1600	3,60	62
ECH-802x2-E-190	180,0	686,0	66800	119,0	800	2 x 2	V3	870	1600	3,60	60
ECH-803-D-150	143,0	523,0	56550	89,5	800	3	V3	870	1600	3,60	59
ECH-803-E-155	151,0	628,0	54150	109,0	800	3	V3	870	1600	3,60	59
ECH-803x2-D-240	239,0	804,0	99680	138,0	800	2 x 3	V3	870	1600	3,60	65
ECH-803x2-E-250	248,0	965,0	93120	164,0	800	2 x 3	V3	870	1600	3,60	65

¹ Max operating pressure 32bar

² All capacities are based on 404A refrigerant. 35 °C amb temp

³ Operating power input

Dimension Table ECH

Model	W	L	H	W1	INLET	OUTLET	Weight kg
ECH-452-D-23	870	1420	1050	N/A	7/8"	3/4"	0
ECH-452-E-28	870	1420	1050	N/A	7/8"	3/4"	0
ECH-502-C-30	960	1730	1050	N/A	1. 1/8"	7/8"	96
ECH-502-D-35	960	1730	1050	N/A	1. 1/8"	7/8"	105
ECH-502-E-36	960	1730	1050	N/A	1. 1/8"	7/8"	132
ECH-502x2-D-65	1750	1750	1050	N/A	1 3/8"	1. 1/8"	245
ECH-502x2-E-70	1750	1750	1050	N/A	1 3/8"	1. 1/8"	254
ECH-503-D-49	920	2290	1050	N/A	1. 1/8"	7/8"	110
ECH-503-E-55	920	2290	1050	N/A	1. 1/8"	7/8"	124
ECH-503x2-D-95	1930	2290	1050	N/A	1. 5/8"	1. 3/8"	198
ECH-503x2-E-100	1930	2290	1050	N/A	1. 5/8"	1. 3/8"	210
ECH-632-C-60	1320	2290	1180	N/A	1 3/8"	1. 1/8"	110
ECH-632-D-70	1320	2290	1180	N/A	1 3/8"	1. 1/8"	132
ECH-632-E-75	1320	2290	1180	N/A	1. 5/8"	1. 1/8"	145
ECH-632x2-C-115	2290	2290	1260	N/A	1 5/8"	1. 3/8"	243
ECH-632x2-D-125	2290	2290	1260	N/A	1 5/8"	1. 3/8"	266
ECH-632x2-E-125	2290	2290	1260	N/A	2. 1/8"	1. 5/8"	298
ECH-633-C-90	1325	3340	1500	N/A	1 3/8"	1. 1/8"	149
ECH-633-D-100	1325	3340	1400	N/A	1 5/8"	1. 1/8"	157
ECH-633-E-110	1325	3340	1400	N/A	1. 5/8"	1. 3/8"	157
ECH-633x2-C-170	2290	3470	1260	N/A	2. 1/8"	1. 5/8"	255
ECH-633x2-D-190	2290	3470	1260	N/A	2. 1/8"	1. 5/8"	277
ECH-633x2-E-205	2290	3470	1260	N/A	2. 1/8"	1. 5/8"	298
ECH-634-C-125	1325	4700	1240	N/A	1 5/8"	1. 3/8"	145
ECH-634-D-135	1325	4700	1240	N/A	1 5/8"	1. 3/8"	156
ECH-802-D-100	1490	3470	1600	N/A	1. 5/8"	1. 3/8"	144
ECH-802-E-110	1490	3470	1600	N/A	1 5/8"	1. 3/8"	176
ECH-802x2-C-160	2290	3470	1600	N/A	2. 1/8"	1. 5/8"	289
ECH-802x2-D-180	2290	3470	1600	N/A	2. 1/8"	1. 5/8"	315
ECH-802x2-E-190	2340	3470	1600	N/A	2. 5/8"	2. 1/8"	344
ECH-803-D-150	990	4750	1600	N/A	1. 5/8"	1. 3/8"	177
ECH-803-E-155	990	4750	1600	N/A	2. 1/8"	1. 5/8"	198
ECH-803x2-D-240	2340	4400	1600	N/A	2. 5/8"	2. 1/8"	315
ECH-803x2-E-250	2340	4400	1600	N/A	2. 5/8"	2. 1/8"	357

Capacities kW ECU Condenser

Fin spacing 2.5mm

Model ¹	Capacity ² 10TD	Surface m ²	Airflow m ³ /hr	Tube volume l	Fan dia mm	Fan qty	Voltage Code	Fan Speed rpm	Input ³ Power Watt per fan	Power Amp	Sound pressure level DB(A) 10m
ECU-6310-D-330	330	1225	132040	178	630	2 x 5	V3	1370	1770	1,90	82
ECU-6312-B-345	342	1035	176700	149	630	2 x 6	V3	1380	1720	1,80	84
ECU-6312-C-400	395	1378	170860	198	630	2 x 6	V3	1380	1720	1,80	84
ECU-6312-D-430	426	1721	165510	248	630	2 x 6	V3	1380	1760	1,90	84
ECU-634-C-130	130	451	56750	65	630	2 x 2	V3	1380	1720	1,80	76
ECU-634-D-145	142	565	54930	81,3	630	2 x 2	V3	1380	1760	1,90	76
ECU-636-B-170	170	489	87580	70,2	630	2 x 3	V3	1380	1720	1,80	79
ECU-636-C-195	195	652	84450	93,9	630	2 x 3	V3	1380	1720	1,80	79
ECU-636-D-215	212	815	82310	116,5	630	2 x 3	V3	1380	1760	1,90	79
ECU-638-B-235	232	733	118950	105,6	630	2 x 4	V3	1380	1720	1,80	81
ECU-638-C-265	265	981	115320	141	630	2 x 4	V3	1380	1720	1,80	81
ECU-638-D-300	293	1225	111910	178	630	2 x 4	V3	1380	1760	1,90	81
ECU-804-B-170	168	489	86000	70,2	800	2 x 2	V3	875	1560	3,50	60
ECU-804-C-200	197	652	84800	93,9	800	2 x 2	V3	870	1580	3,50	60
ECU-804-D-220	215	815	84000	116,5	800	2 x 2	V3	870	1600	3,60	60
ECU-806-B-240	241	733	127600	105,6	800	2 x 3	V3	875	1560	3,50	62
ECU-806-C-290	288	981	126900	141	800	2 x 3	V3	870	1580	3,50	62
ECU-806-D-320	319	1225	125800	178	800	2 x 3	V3	870	1600	3,60	62
ECU-808-B-340	339	1035	170800	149	800	2 x 4	V3	875	1560	3,50	65
ECU-808-C-390	390	1378	169200	198	800	2 x 4	V3	870	1580	3,50	65
ECU-808-D-430	430	1721	168000	248	800	2 x 4	V3	870	1600	3,60	65
ECU-810-D-480	473	1721	189100	248	800	2 x 5	V3	870	1600	3,60	65
ECU-810-E-500	490	2065	179500	298	800	2 x 5	V3	870	1650	3,70	65

¹ Max operating pressure 32bar

² All capacities are based on 404A refrigerant. 35 °C amb temp

³ Operating power input

Dimension Table

Model	W	L	H	W1	INLET	OUTLET	Weight kg
ECU-6310-D-330	2200	4020	1825	N/A	2. 1/8"	1. 5/8"	1460
ECU-6312-B-345	2200	5620	1825	N/A	2. 1/8"	1. 5/8"	1620
ECU-6312-C-400	2200	5620	1825	N/A	2. 1/8"	1. 5/8"	1780
ECU-6312-D-430	2200	5620	1825	N/A	2. 1/8"	1. 5/8"	1970
ECU-634-C-130	2200	1910	1825	N/A	1. 3/8"	1. 1/8"	650
ECU-634-D-145	2200	1910	1825	N/A	1. 3/8"	1. 1/8"	750
ECU-636-B-170	2200	2710	1825	N/A	1. 3/8"	1. 1/8"	830
ECU-636-C-195	2200	2710	1825	N/A	1. 5/8"	1. 3/8"	970
ECU-636-D-215	2200	2710	1825	N/A	1. 5/8"	1. 3/8"	990
ECU-638-B-235	2200	4020	1825	N/A	1. 5/8"	1. 3/8"	1220
ECU-638-C-265	2200	4020	1825	N/A	1. 5/8"	1. 3/8"	1320
ECU-638-D-300	2200	4020	1825	N/A	2. 1/8"	1. 5/8"	1430
ECU-804-B-170	2200	2710	1990	N/A	1. 3/8"	1. 1/8"	845
ECU-804-C-200	2200	2710	1990	N/A	1. 5/8"	1. 3/8"	995
ECU-804-D-220	2200	2710	1990	N/A	1. 5/8"	1. 3/8"	1020
ECU-806-B-240	2200	4020	1990	N/A	1. 5/8"	1. 3/8"	1260
ECU-806-C-290	2200	4020	1990	N/A	2. 1/8"	1. 5/8"	1360
ECU-806-D-320	2200	4020	1990	N/A	2. 1/8"	1. 5/8"	1470
ECU-808-B-340	2200	5620	1990	N/A	2. 1/8"	1. 5/8"	1670
ECU-808-C-390	2200	5620	1990	N/A	2. 1/8"	1. 5/8"	1820
ECU-808-D-430	2200	5620	1990	N/A	2. 1/8"	1. 5/8"	2020
ECU-810-D-480	2200	5620	1990	N/A	2. 5/8"	2. 1/8"	2020
ECU-810-E-500	2200	5620	1990	N/A	2. 5/8"	2. 1/8"	2210

Capacities kW ECV/ECW Condenser

Fin spacing 2.0mm

Model ¹	Capacity ² 10TD	Surface m ²	Airflow m ³ /hr	Tube volume l	Fan dia mm	Fan qty	Voltage Code	Fan Speed rpm	Input ³ Power Watt per fan	Power Amp	Sound pressure levelDB(A)10m
ECV-632-B-60	56	191	29930	27,2	630	2	V3	1380	1720	1,80	75
ECV-632-C-70	68	256	29020	36,2	630	2	V3	1380	1720	1,80	75
ECV-633-B-90	88	275	44600	41,5	630	3	V3	1380	1720	1,80	76
ECV-633-C-105	103	337	43220	53,2	630	3	V3	1380	1720	1,80	76
ECV-633-D-110	111	458	41970	67,1	630	3	V3	1380	1760	1,90	76
ECV-634-B-125	125	412	60410	59,3	630	4	V3	1380	1720	1,80	77
ECV-634-C-145	145	550	58770	79,2	630	4	V3	1380	1720	1,80	77
ECV-634-D-160	156	687	57330	99,5	630	4	V3	1380	1760	1,90	77
ECV-635-D-180	176	687	68220	99,5	630	5	V3	1370	1770	1,90	78

¹ Max operating pressure 32bar

² All capacities are based on 404A refrigerant. 35 °C amb temp

³ Operating power input

Model ¹	Capacity ² 10TD	Surface m ²	Airflow m ³ /hr	Tube volume l	Fan dia mm	Fan qty	Voltage Code	Fan Speed rpm	Input ³ Power Watt per fan	Power Amp	Sound pressure levelDB(A)10m
ECW-764-B-130-T	128,2	474	74030	49,5	760	4	V3	900	1200	2,70	58
ECW-764-C-165-T	165,0	632	72600	65,8	760	4	V3	900	1200	2,70	58
ECW-766-B-220-T	216,7	711	111050	74	760	6	V3	900	1200	2,70	60
ECW-766-C-260-T	263,6	948	108800	98	760	6	V3	900	1200	2,70	60
ECW-768-B-280-T	275,8	948	148050	98	760	8	V3	900	1200	2,70	63
ECW-768-C-350-T	348,2	1265	145100	132	760	8	V3	900	1200	2,70	63

¹ Max operating pressure 32bar

² All capacities are based on 404A refrigerant. 35 °C amb temp

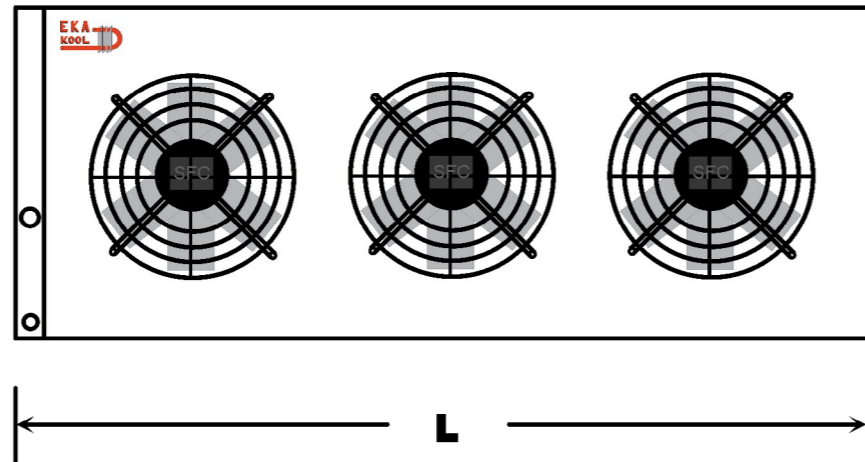
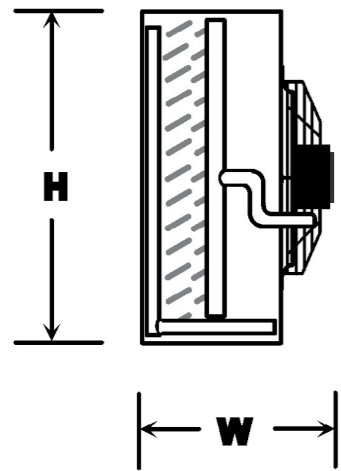
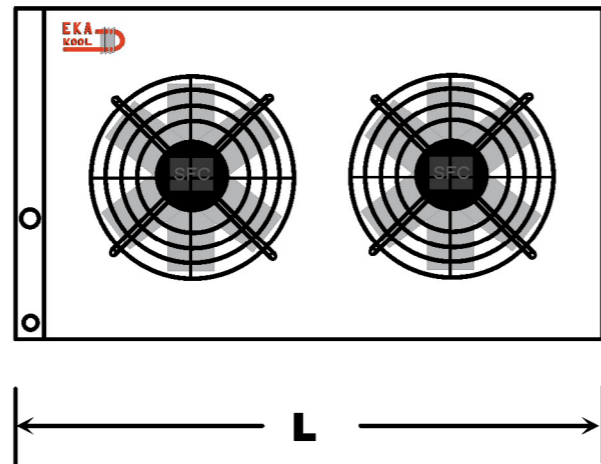
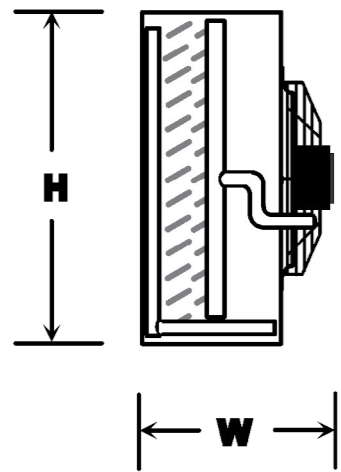
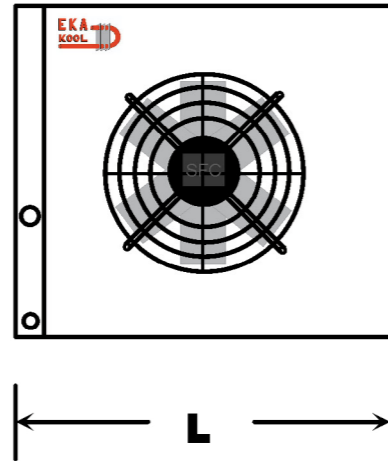
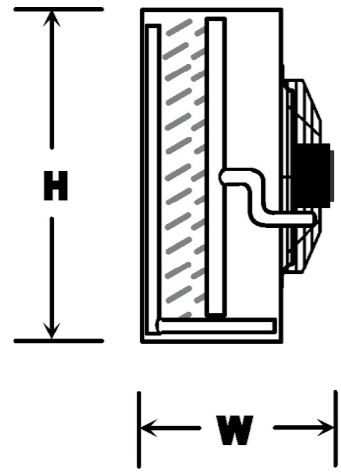
³ Operating power input

Dimension Table

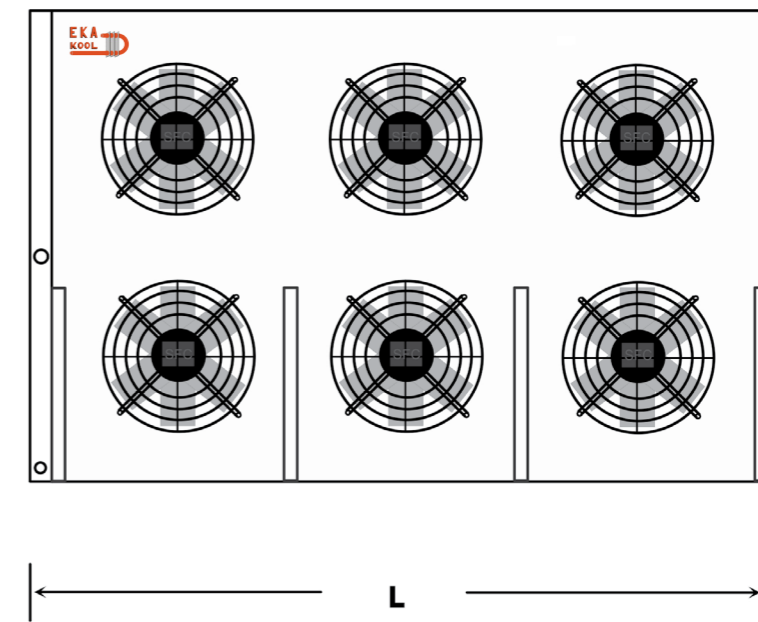
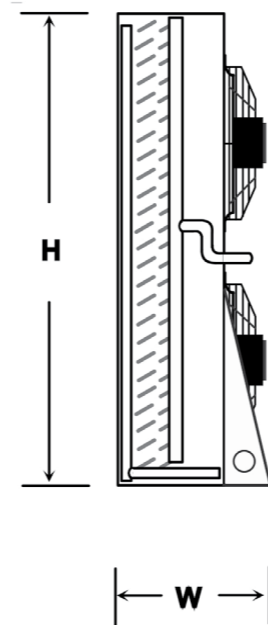
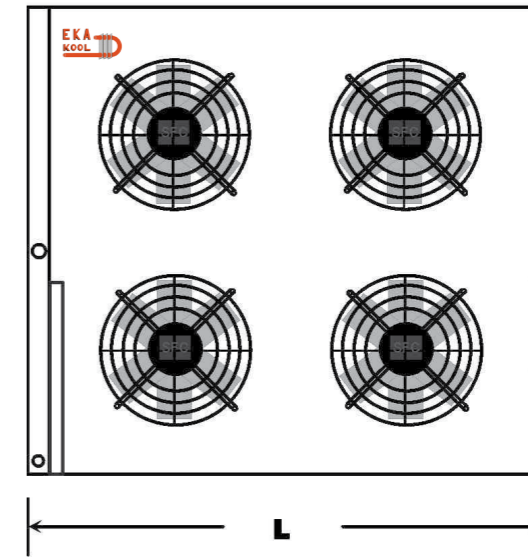
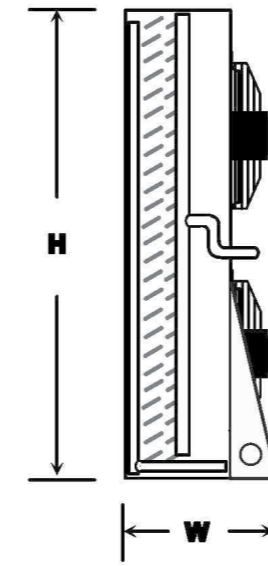
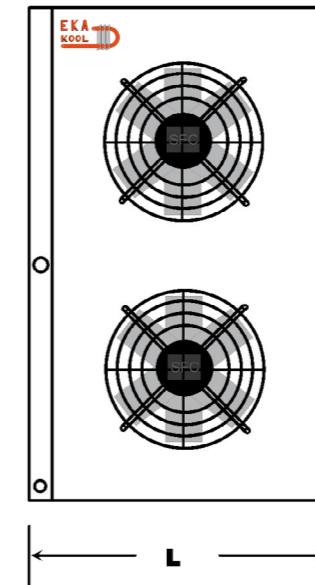
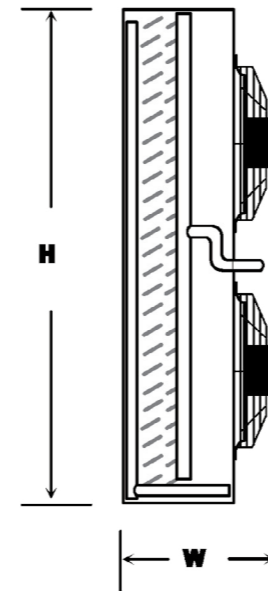
Model	W	L	H	W1	INLET	OUTLET	Weight kg
ECV-632-B-60	1100	1910	1170	N/A	7/8"	3/4"	460
ECV-632-C-70	1100	1910	1170	N/A	1. 1/8"	7/8"	510
ECV-633-B-90	1100	2710	1170	N/A	1. 1/8"	7/8"	710
ECV-633-C-105	1100	2710	1170	N/A	1. 3/8"	1. 1/8"	760
ECV-633-D-110	1100	2710	1170	N/A	1. 3/8"	1. 1/8"	810
ECV-634-B-125	1100	4020	1170	N/A	1. 3/8"	1. 1/8"	910
ECV-634-C-145	1100	4020	1170	N/A	1. 3/8"	1. 1/8"	1020
ECV-634-D-160	1100	4020	1170	N/A	1. 3/8"	1. 1/8"	1130
ECV-635-D-180	1100	4020	1170	N/A	1. 5/8"	1. 3/8"	1150

Model	W	L	H	W1	INLET	OUTLET	Weight kg
ECW-764-B-130-T	2215	2520	1720	N/A	1. 5/8"	1. 1/8"	900
ECW-764-C-165-T	2215	2520	1720	N/A	1. 5/8"	1. 1/8"	1300
ECW-766-B-220-T	2215	3540	1720	N/A	2. 1/8"	1. 3/8"	1200
ECW-766-C-260-T	2215	3540	1720	N/A	2. 1/8"	1. 3/8"	1350
ECW-768-B-280-T	2215	4546	1720	N/A	2. 1/8"	1. 5/8"	1600
ECW-768-C-350-T	2215	4546	1720	N/A	2. 1/8"	1. 5/8"	2200

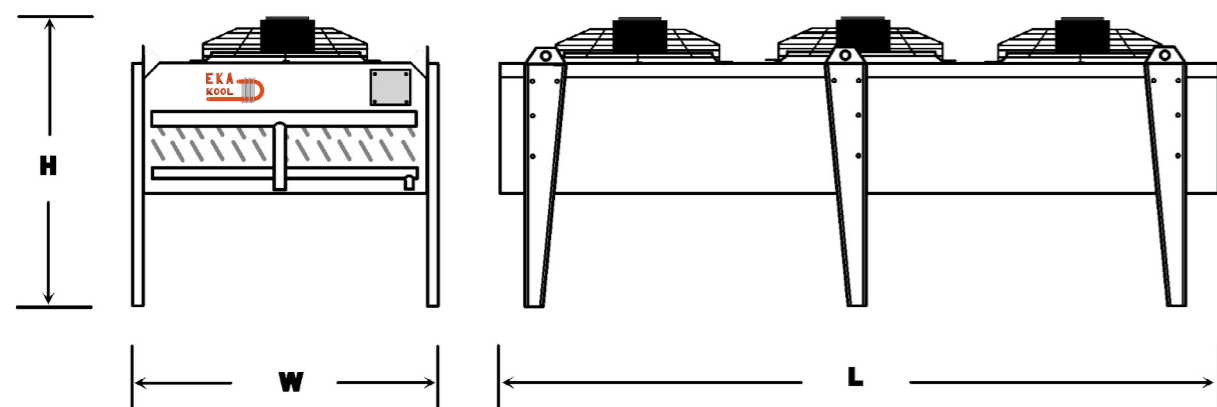
Dimension drawing ECS



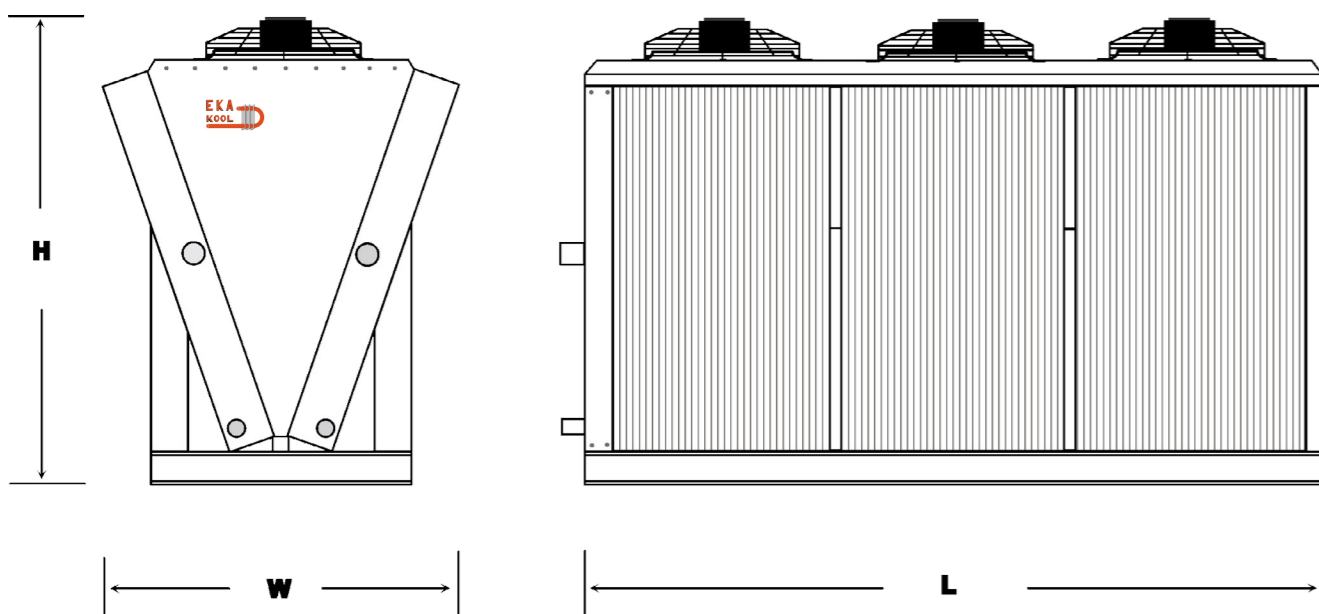
Dimension drawing ECSx2



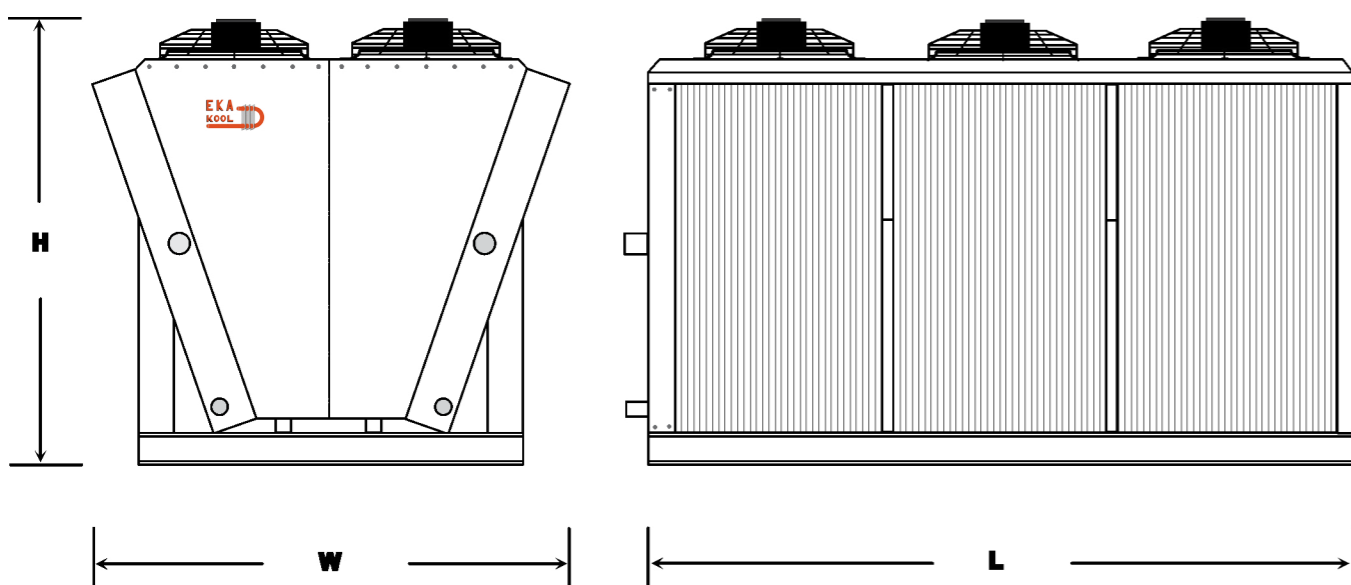
Dimension drawing ECH



Dimension drawing ECV



Dimension drawing ECU



General specification EKA-KOOL Condensers

All EKA-KOOL products are ISO 9001:2008 certified and all production processes undergo quality control procedures. All staff are well trained within their scope of competence and the company lives up to all authority regulations. The company respects local culture and value bringing harmony between work and private lives.

Capacity

All our capacities are calculated on R404A. The refrigerating capacities refer to an air inlet temperature difference which results from the difference between ambient air temperature T_{amp} and condensing temperature T_{cond} . Please use our

EKA-CALC for exact thermodynamic design in different operating conditions. Our technical team are ready to support you on all technical issues at info@eka-kool.com

Coils

Fins are made of high quality aluminium alloy and mechanically expanded onto high grade copper tube. Tube sizes is 3/8" and 1/2" Fin spacing 2.5mm. All coils are leak tested with dry nitrogen ensuring

leak free coils. All coils are delivered with a holding charge of dry nitrogen once the leak test has been approved by our quality control department

Casing

Robust and strong supported zink steel coated casing. Individual fan segments for optimal air distribution and fan control. Casing design with

angle corners of 45 degree for easy welding of inlet and out connections during installation

Fan Motors

Powerfull, low noise, internal rotor., axial fan motors in protection class IP44 for all fan diameters 250mm - 400mm and IP66 for all fan diameters 500mm-1000mm. Winding temperature class for all motors is THCI 155 (IEC 60085). Electrical dimensioning is conducted according to regulation of rotating electrical machines DIN EN 60034-1 and internal balance with protection guard grill according to EN294.

Three phase 400V 50Hz or 480V 60Hz for all fans 500mm-1000mm optional available for all other voltages of 4poles. 6poles. 8 poles and 12 poles. Reliability and low power consumption. Please refer to the nameplate for more information. Admissible air temperature -40 °C to +60 °C . All fans are pre-wired to the weather proof terminal box. tested and approved by electrical department at factory to secure safety and optimal operation of the motors.

Single phase 230V 50/60HZ for all fans 250mm-400mm with optional of 3 phase 230V/400V 50Hz/60Hz.

Sound

Comply to standard procedure for calculation of

sound pressure level according to EN13487.

Pakaging

All EKA-KOOL's units delivered packaged in instalation position. All units small than ECS/ECH-402-E packaged in strong and robust carton box. All units larger than ECS/ECH-402X2 packaged

in wooden case
All units of model ECV, ECU and ECW packaged in wooden case

Accessories

Fan motors. fan blade (rotors). electrical heaters. drain tray. feet for floor mounting. wall brackets.

electrical box. Please consult with our technical department for more information

Your Success is Our Success

EKA-KOOL®. the specialist in fin & tube heat exchangers technology proudly present to the market its unique design commercial line serving the refrigeration and air-conditioning industries.

EKA-KOOL® stands for efficiency. value for your investment. true performer and a trustworthy partner to your business.



EKA-KOOL Pte Ltd
Blk 224, Lorong 8
Toa Payoh
Singapore 310224
Telephone +84903788664
Email: info@eka-kool.com
Literature no. ECS-052017-E1-04

Subject to technical amendments without prior notice. Apply to our general terms and conditions of sales which can be found on our website and on request

www.eka-kool.com